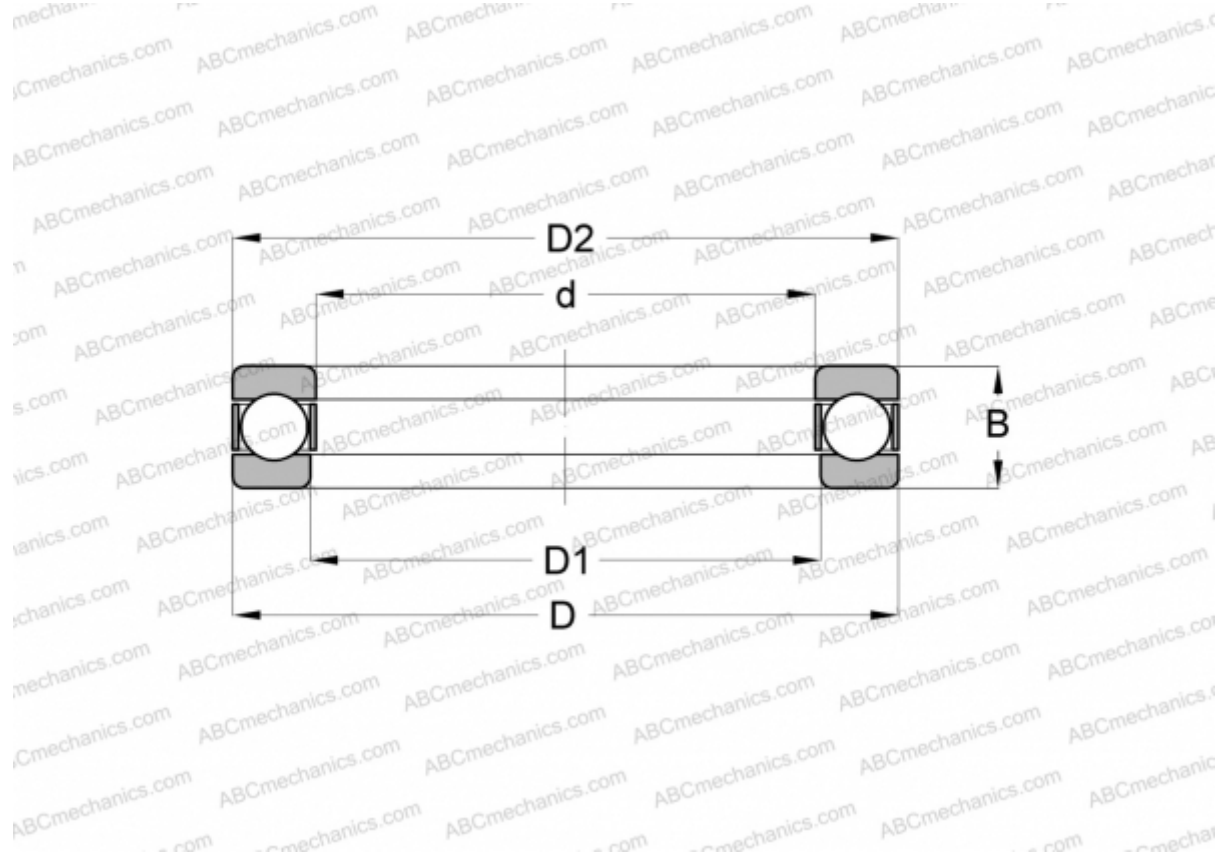


10-B MRC

Thrust ball bearings

TYPE: Ball bearings, Thrust ball bearing, Single direction, Separable, inch size



Technical specification

DIMENSIONS, MM

| | |
|----|--------|
| d | 41,275 |
| D | 62,705 |
| D1 | 42,068 |
| D2 | 61,913 |
| B | 18,255 |

WEIGHT, KG 0,209

MANUFACTURER [MRC](#)

INTERCHANGE

| | |
|--------|----------------------------|
| ABC | W-1 5/8 |
| INA | W-1 5/8 |
| FAFNIR | 4313 |
| FBC | W-1 5/8 |
| RHP | LT-1 5/8 B |

INTERCHANGE

| | |
|-----|----------------------|
| SKF | 0-13 |
|-----|----------------------|