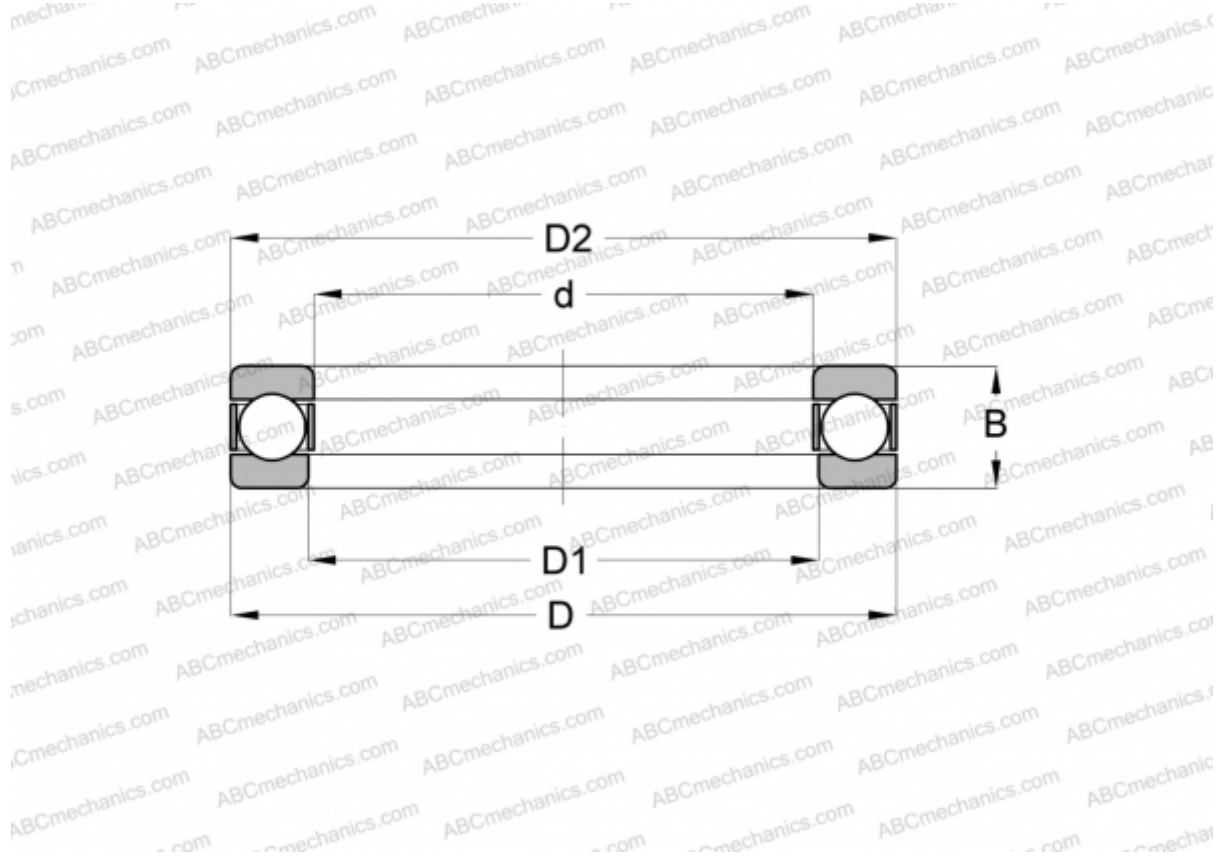


## LT-7 E RHP

Thrust ball bearings

TYPE: Ball bearings, Thrust ball bearing, Single direction, Separable, inch size



### Technical specification

#### DIMENSIONS, MM

|    |         |
|----|---------|
| d  | 177,800 |
| D  | 257,175 |
| D1 | 180,975 |
| D2 | 254,000 |
| B  | 66,675  |

**WEIGHT, KG** 10,659

**MANUFACTURER** [RHP](#)

#### INTERCHANGE

|     |                     |
|-----|---------------------|
| ABC | <a href="#">W-7</a> |
| INA | <a href="#">W-7</a> |
| FBC | <a href="#">W-7</a> |