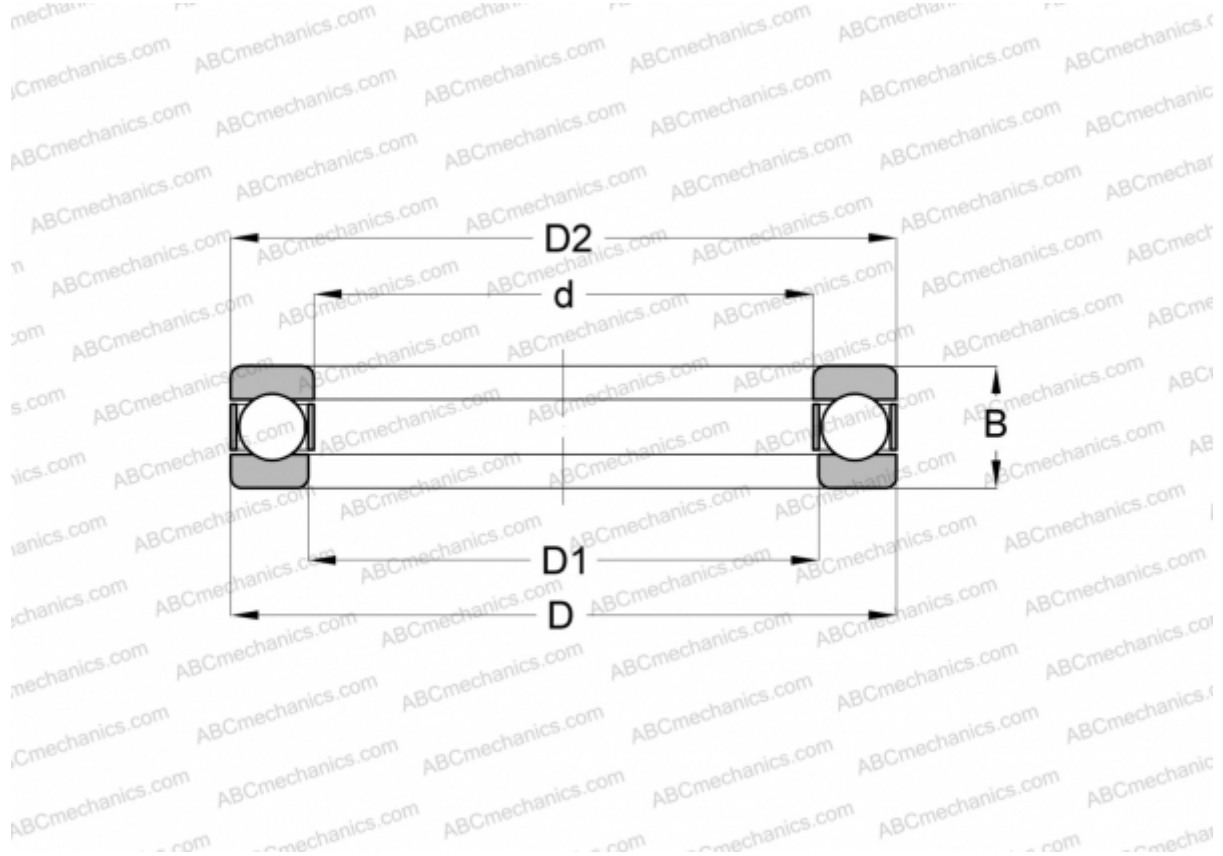


## W-7 1/2 ABC

Thrust ball bearings

TYPE: Ball bearings, Thrust ball bearing, Single direction, Separable, inch size



### Technical specification

#### DIMENSIONS, MM

d	190,500
D	276,225
D1	193,675
D2	273,050
B	69,850

**WEIGHT, KG** 13,381

**MANUFACTURER** [ABC](#)

#### INTERCHANGE

INA	<a href="#">W-7 1/2</a>
FBC	<a href="#">W-7 1/2</a>
RHP	<a href="#">LT-7 1/2 E</a>