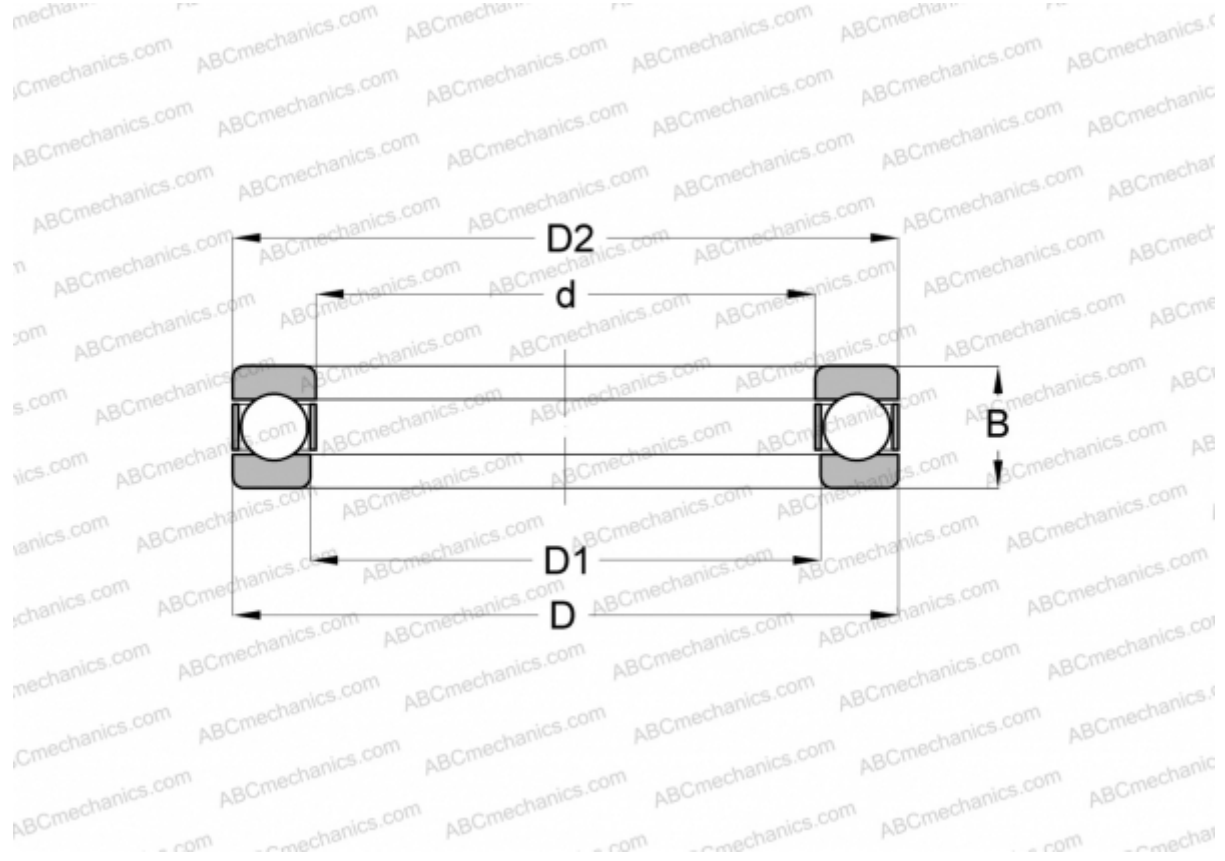


MW- 3/4 INA

Thrust ball bearings

TYPE: Ball bearings, Thrust ball bearing, Single direction, Separable, inch size



Technical specification

DIMENSIONS, MM

d	19,050
D	39,688
D1	20,638
D2	38,100
B	18,255

WEIGHT, KG 0,109

MANUFACTURER [INA](#)

INTERCHANGE

ABC	MW- 3/4
NORMA HOFFMAN	MW- 3/4
RHP	MT- 3/4
SKF	T-6