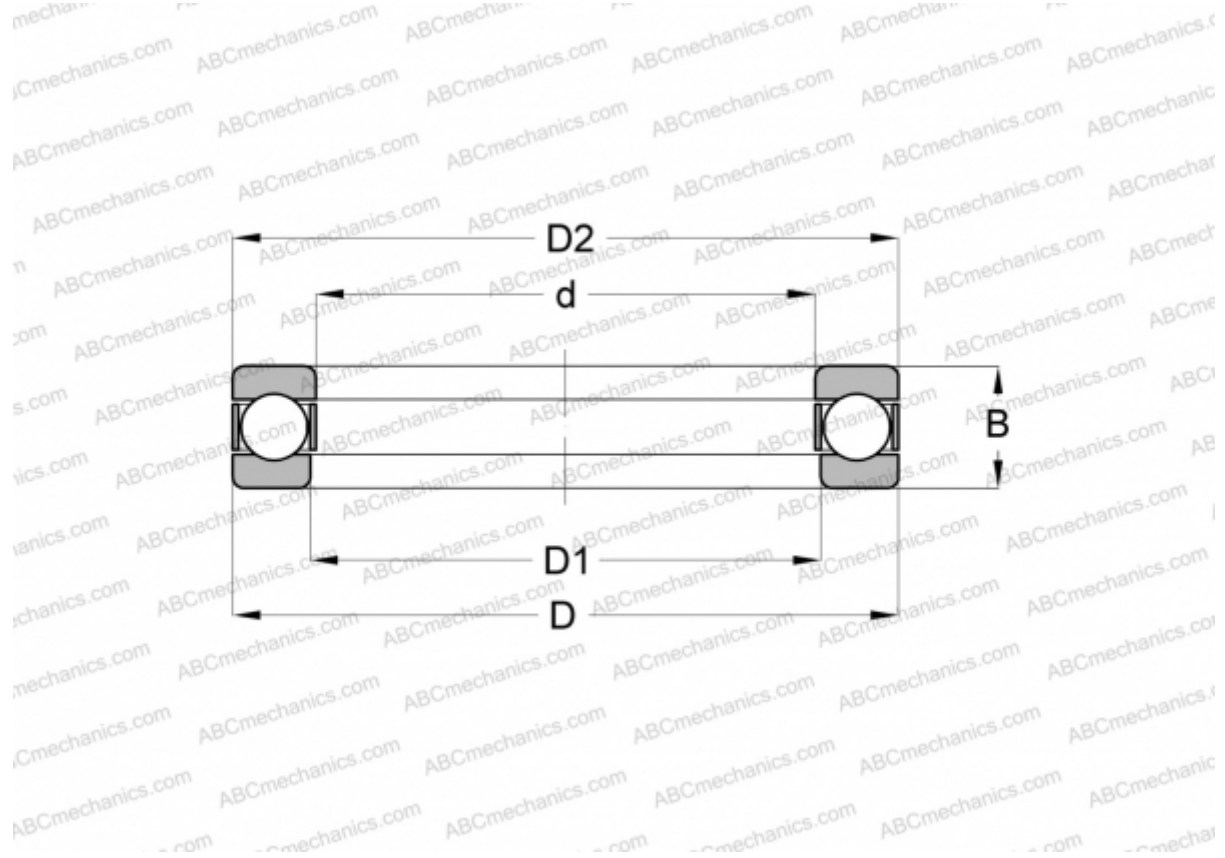


MW-1 1/8 NORMA HOFFMAN

Thrust ball bearings

TYPE: Ball bearings, Thrust ball bearing, Single direction, Separable, inch size



Technical specification

DIMENSIONS, MM

d	28,575
D	57,150
D1	31,750
D2	53,975
B	22,225

WEIGHT, KG 0,249

MANUFACTURER [NORMA](#)
[HOFFMAN](#)

INTERCHANGE

ABC	MW-1 1/8
INA	MW-1 1/8
RHP	MT-1 1/8
SKF	T-9