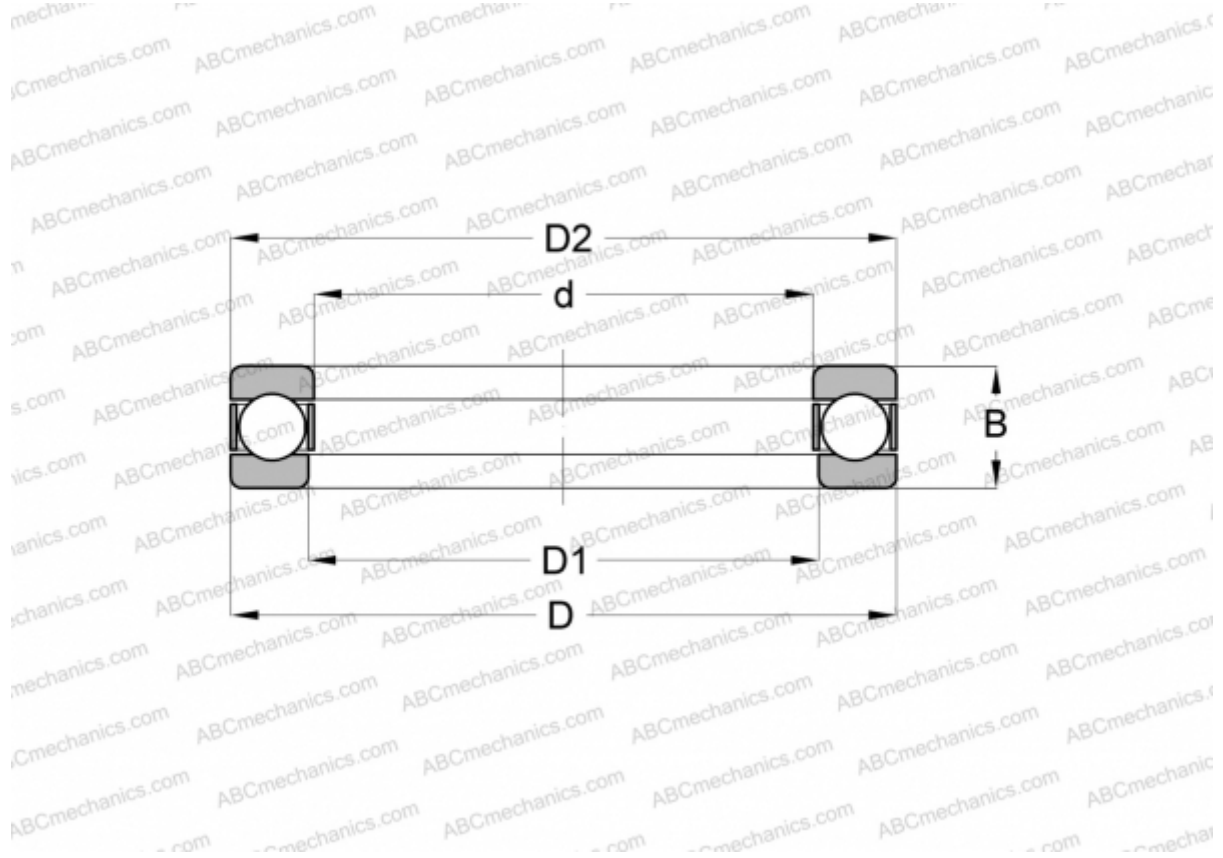


MT-1 1/8 RHP

Thrust ball bearings

TYPE: Ball bearings, Thrust ball bearing, Single direction, Separable, inch size



Technical specification

DIMENSIONS, MM

d	28,575
D	57,150
D1	31,750
D2	53,975
B	22,225

WEIGHT, KG 0,249

MANUFACTURER [RHP](#)

INTERCHANGE

ABC	MW-1 1/8
INA	MW-1 1/8
NORMA HOFFMAN	MW-1 1/8
SKF	T-9