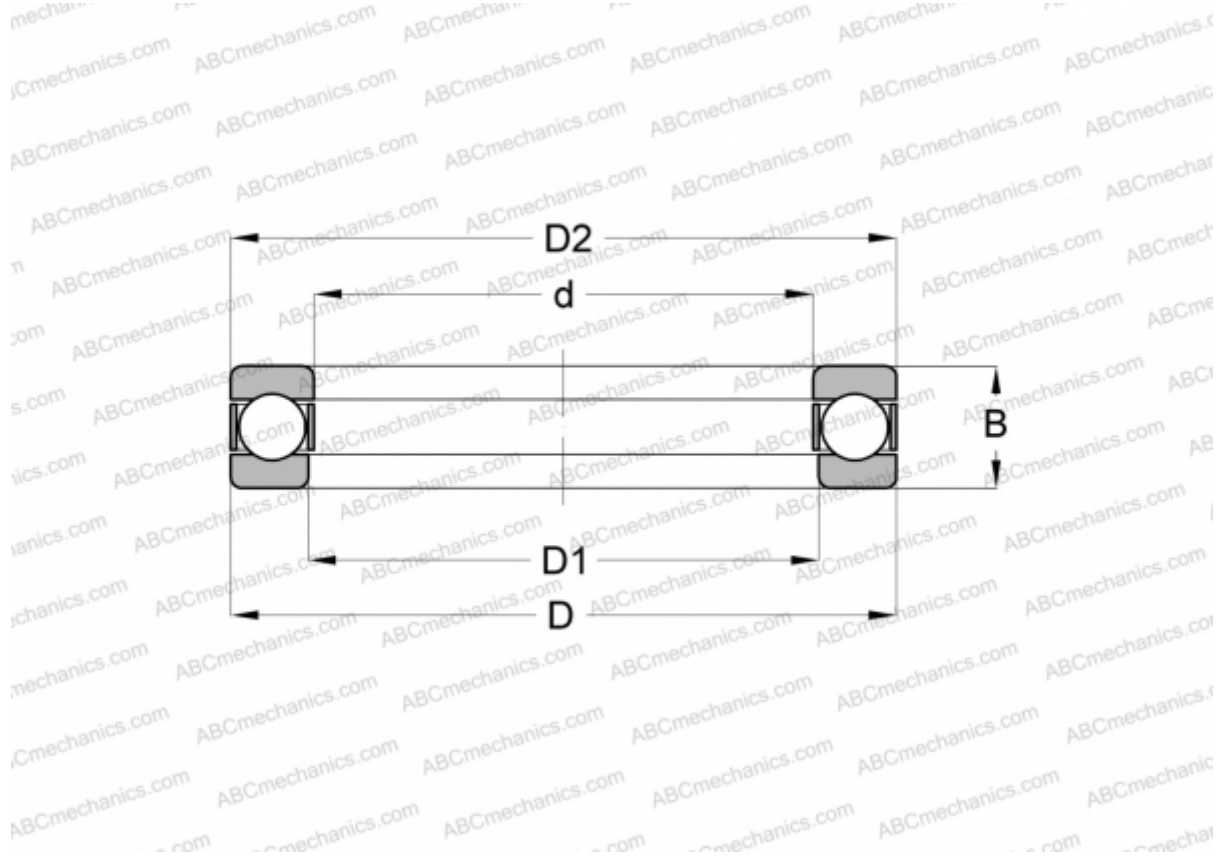


MW-1 3/8 NORMA HOFFMAN

Thrust ball bearings

TYPE: Ball bearings, Thrust ball bearing, Single direction, Separable, inch size



Technical specification

DIMENSIONS, MM

d	34,925
D	66,675
D1	38,100
D2	63,500
B	25,400

WEIGHT, KG 0,454

MANUFACTURER [NORMA](#)
[HOFFMAN](#)

INTERCHANGE

ABC	MW-1 3/8
INA	MW-1 3/8