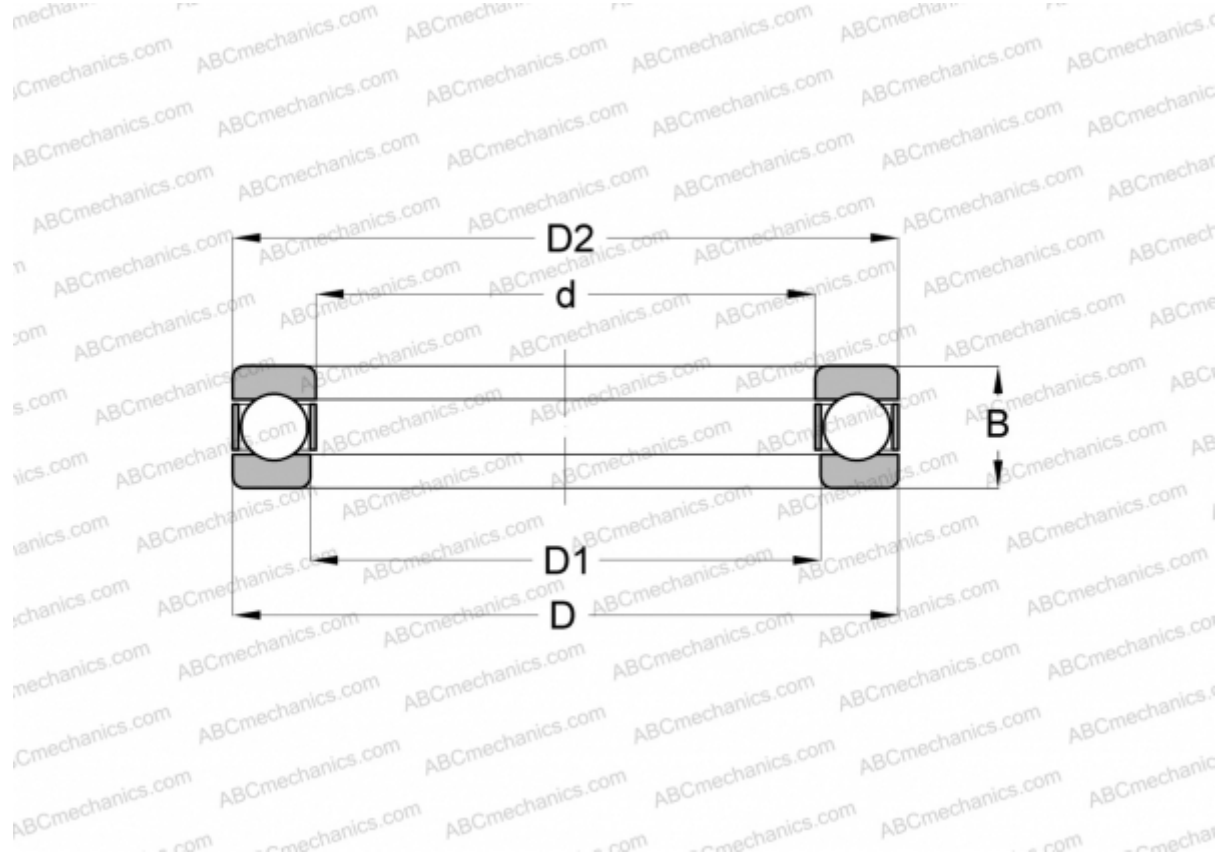


MW-1 1/2 ABC

Thrust ball bearings

TYPE: Ball bearings, Thrust ball bearing, Single direction, Separable, inch size



Technical specification

DIMENSIONS, MM

d	38,100
D	73,025
D1	41,275
D2	69,850
B	28,575

WEIGHT, KG 0,531

MANUFACTURER [ABC](#)

INTERCHANGE

INA	MW-1 1/2
NORMA HOFFMAN	MW-1 1/2
RHP	MT-1 1/2
SKF	T-12