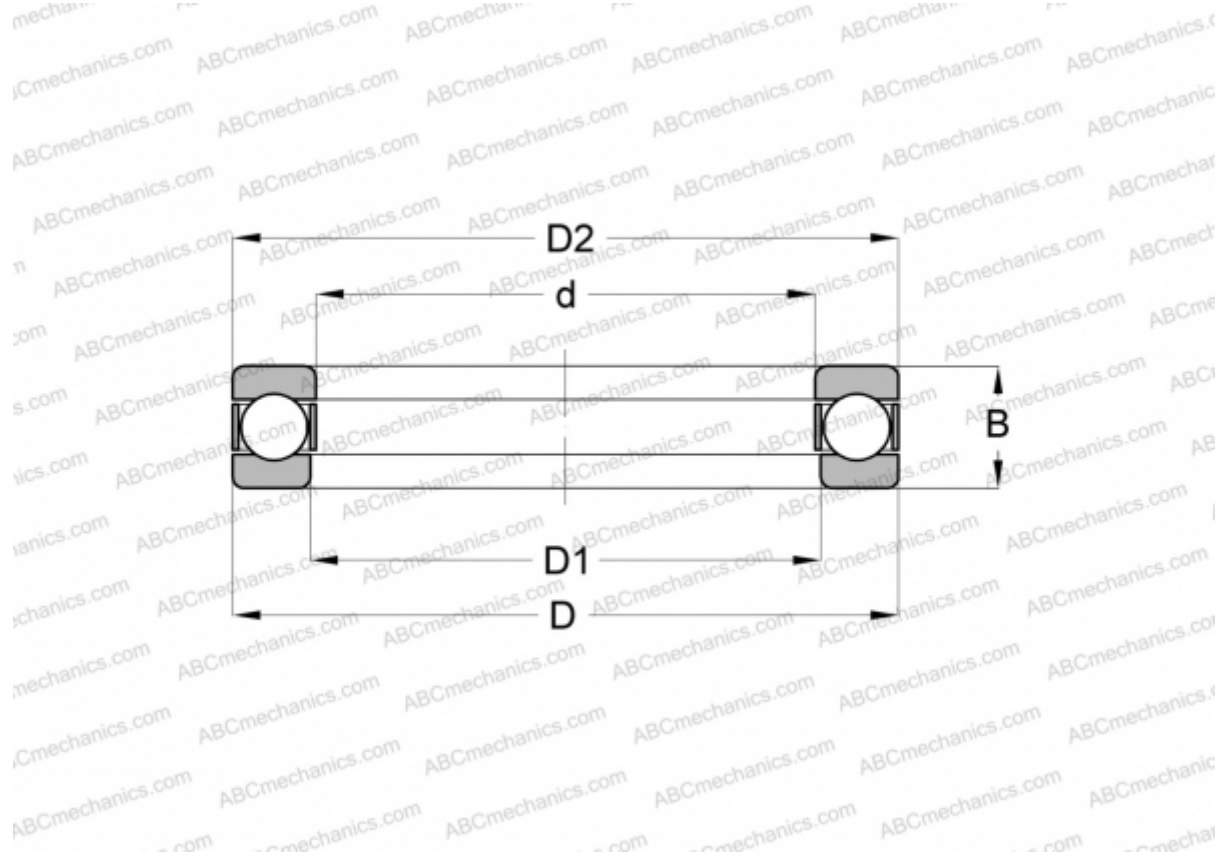


## MT-7E RHP

Thrust ball bearings

TYPE: Ball bearings, Thrust ball bearing, Single direction, Separable, inch size



### Technical specification

#### DIMENSIONS, MM

d	177,800
D	323,850
D1	180,975
D2	320,675
B	127,000

**WEIGHT, KG** 45,813

**MANUFACTURER** [RHP](#)

#### INTERCHANGE

ABC	<a href="#">MW-7</a>
INA	<a href="#">MW-7</a>
NORMA HOFFMAN	<a href="#">MW-7</a>
SKF	<a href="#">T-56</a>