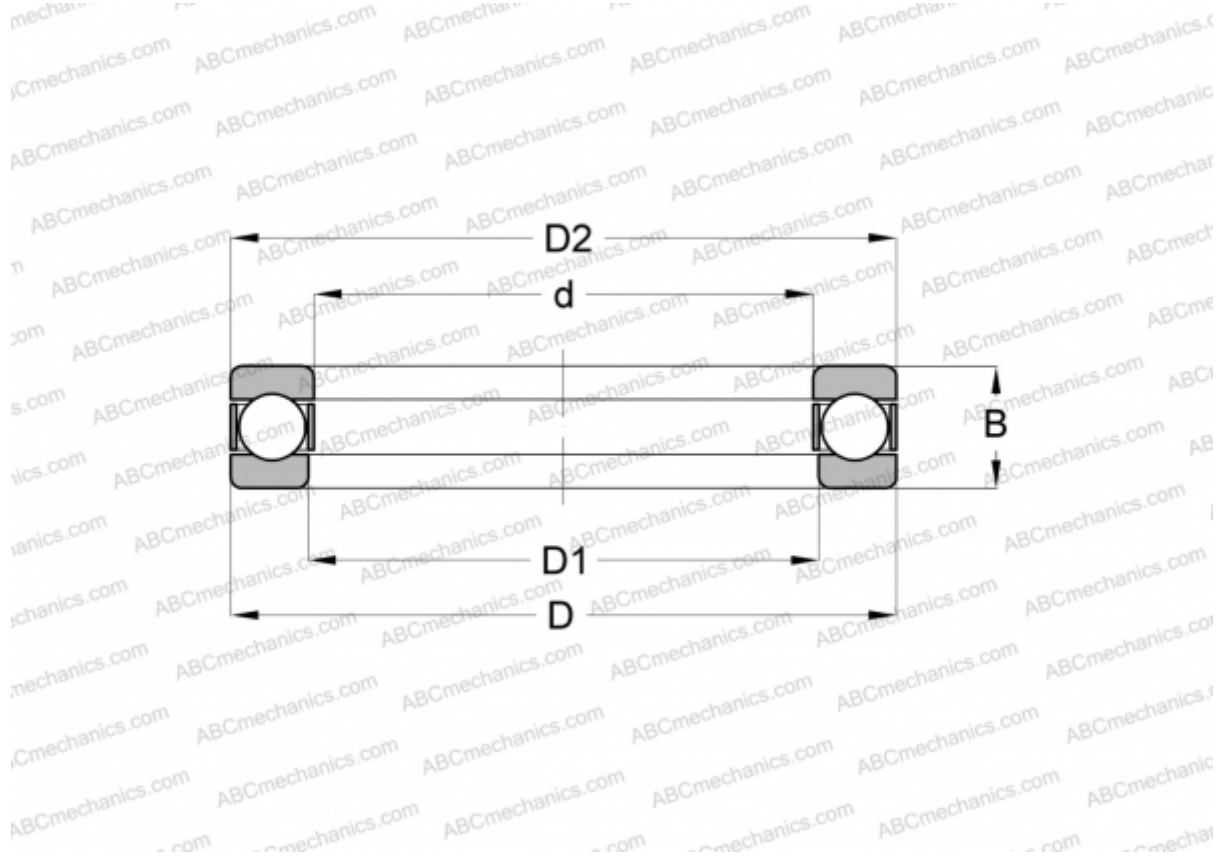


MW-9 ABC

Thrust ball bearings

TYPE: Ball bearings, Thrust ball bearing, Single direction, Separable, inch size



Technical specification

DIMENSIONS, MM

d	228,600
D	422,275
D1	231,775
D2	419,100
B	171,450

WEIGHT, KG 106,141

MANUFACTURER [ABC](#)

INTERCHANGE

INA	MW-9
RHP	MT-9E