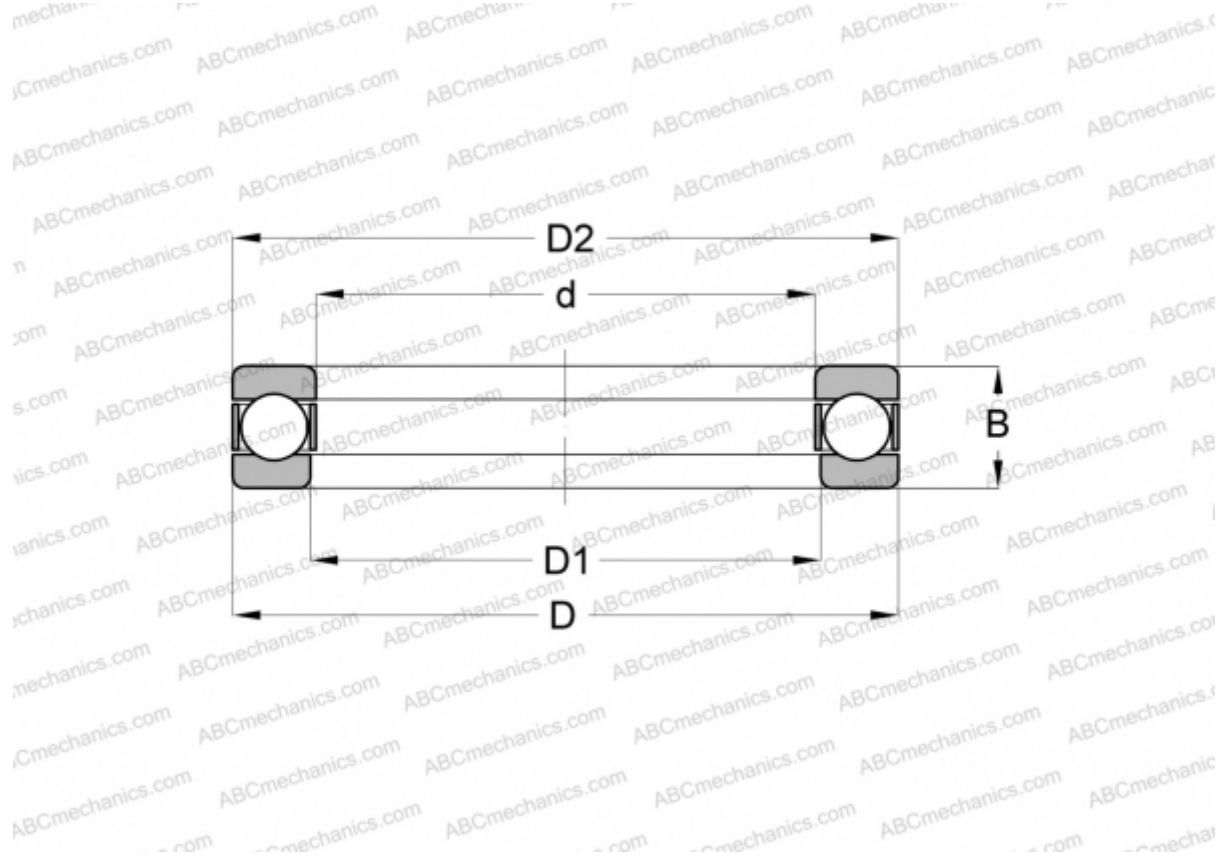


HW- 1/4 ABC

Thrust ball bearings

TYPE: Ball bearings, Thrust ball bearing, Single direction, Separable, inch size



Technical specification

DIMENSIONS, MM

d	6,350
D	23,813
D1	7,938
D2	22,225
B	13,493

WEIGHT, KG 0,032

MANUFACTURER [ABC](#)

INTERCHANGE

INA	HW- 1/4
NORMA HOFFMAN	HW- 1/4
RHP	HT- 1/4
SKF	VH-2