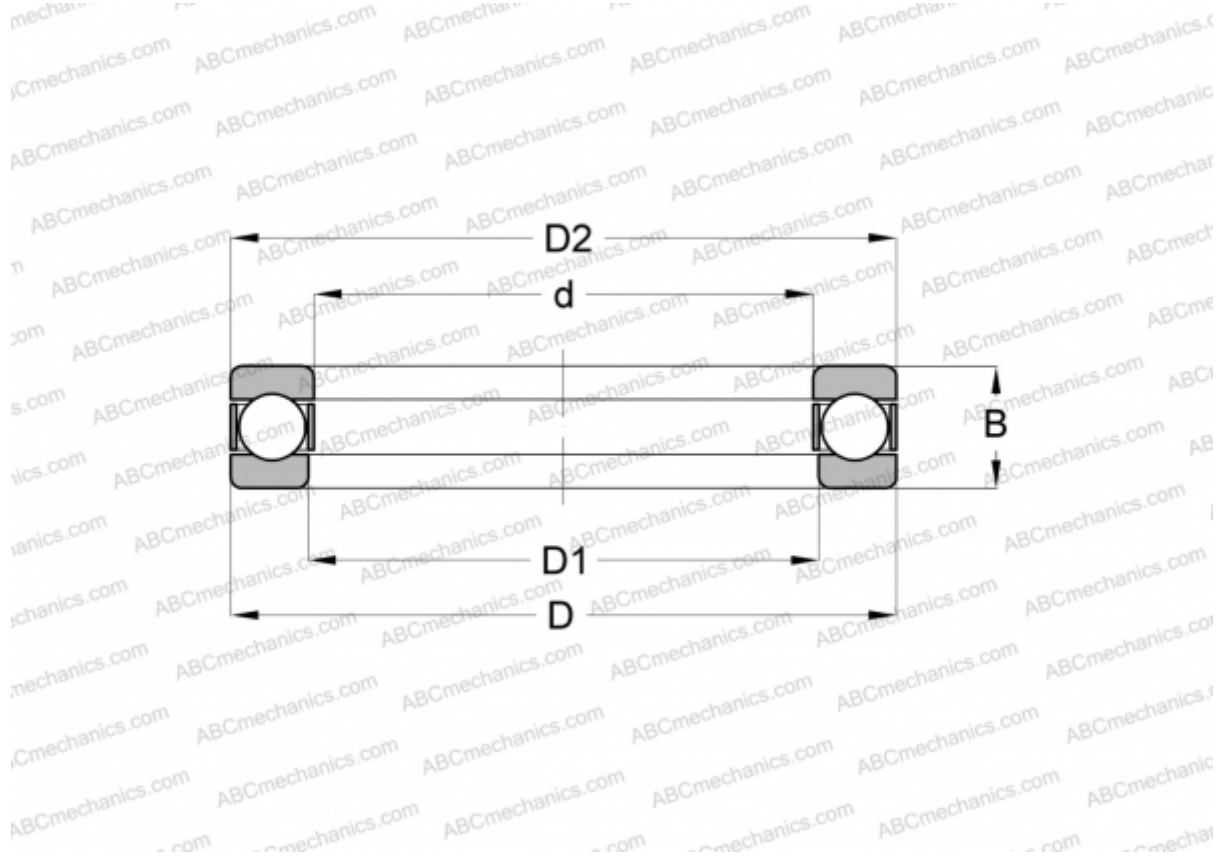


VH-4 1/2 SKF

Thrust ball bearings

TYPE: Ball bearings, Thrust ball bearing, Single direction, Separable, inch size



Technical specification

DIMENSIONS, MM

d	14,288
D	39,688
D1	15,875
D2	38,100
B	19,050

WEIGHT, KG 0,113

MANUFACTURER [SKF](#)

INTERCHANGE

ABC	HW- 9/16
INA	HW- 9/16
NORMA HOFFMAN	HW- 9/16