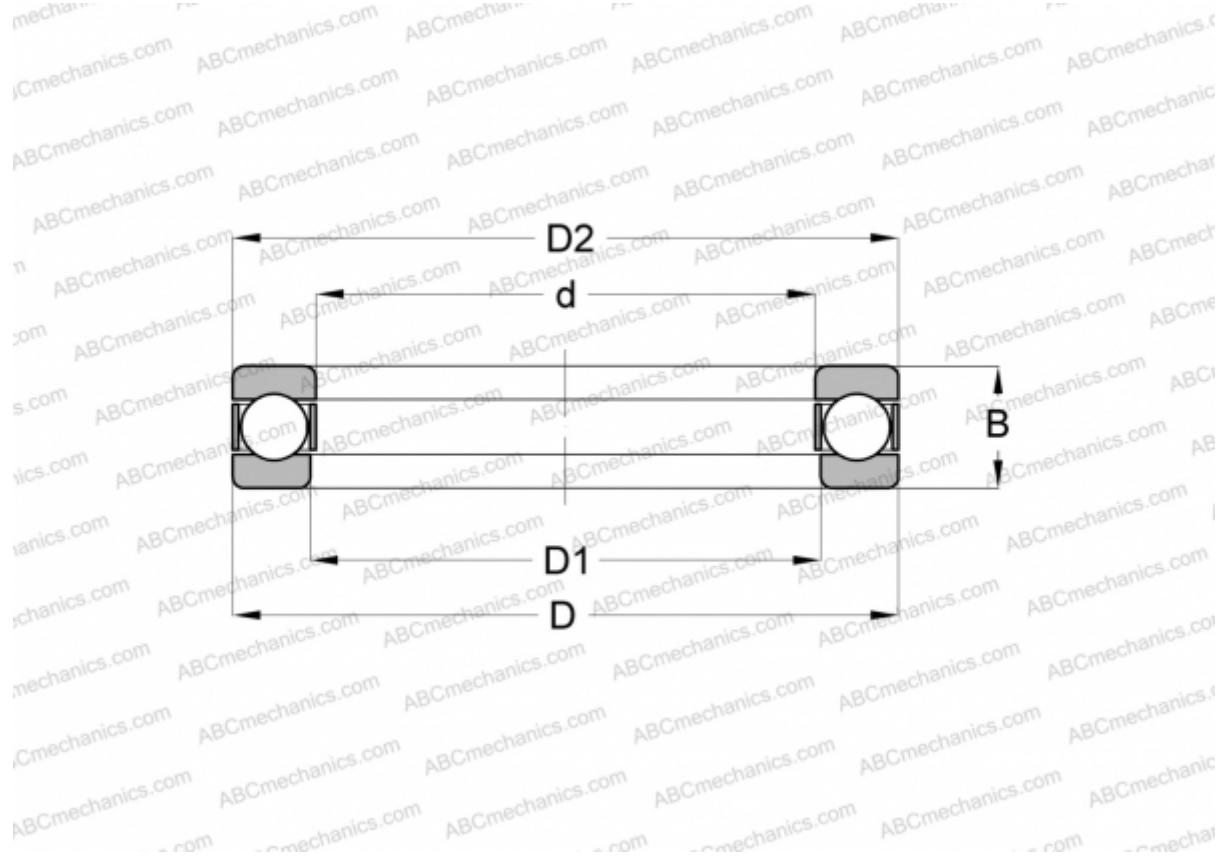


HT- 5/8 RHP

Thrust ball bearings

TYPE: Ball bearings, Thrust ball bearing, Single direction, Separable, inch size



Technical specification

DIMENSIONS, MM

d	15,875
D	39,688
D1	17,463
D2	38,100
B	19,050

WEIGHT, KG 0,113

MANUFACTURER [RHP](#)

INTERCHANGE

ABC	HW- 5/8
INA	HW- 5/8
NORMA HOFFMAN	HW- 5/8
SKF	VH-5