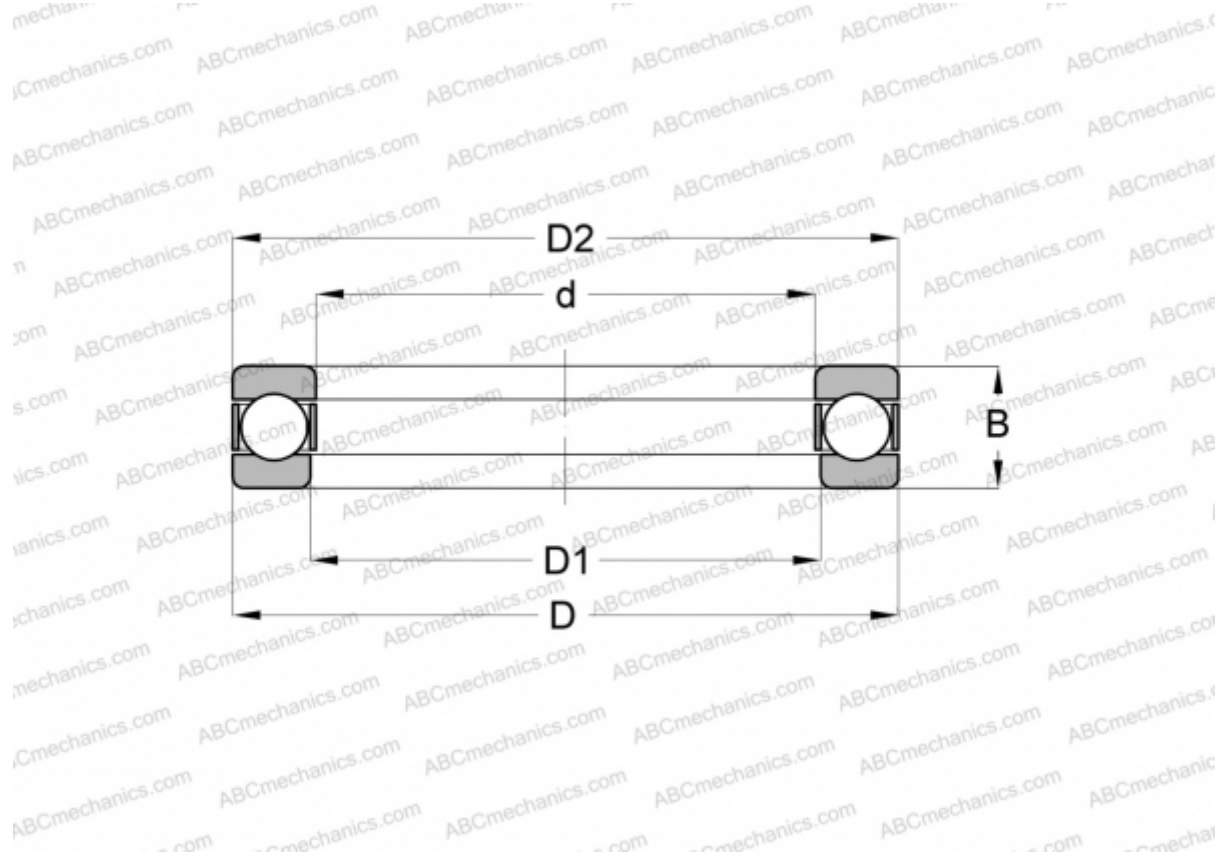


## HW- 7/8 INA

Thrust ball bearings

TYPE: Ball bearings, Thrust ball bearing, Single direction, Separable, inch size



### Technical specification

#### DIMENSIONS, MM

d	22,225
D	52,388
D1	23,813
D2	50,800
B	25,400

**WEIGHT, KG** 0,272

**MANUFACTURER** [INA](#)

#### INTERCHANGE

ABC	<a href="#">HW- 7/8</a>
NORMA HOFFMAN	<a href="#">HW- 7/8</a>
RHP	<a href="#">HT- 7/8</a>
SKF	<a href="#">VH-7</a>