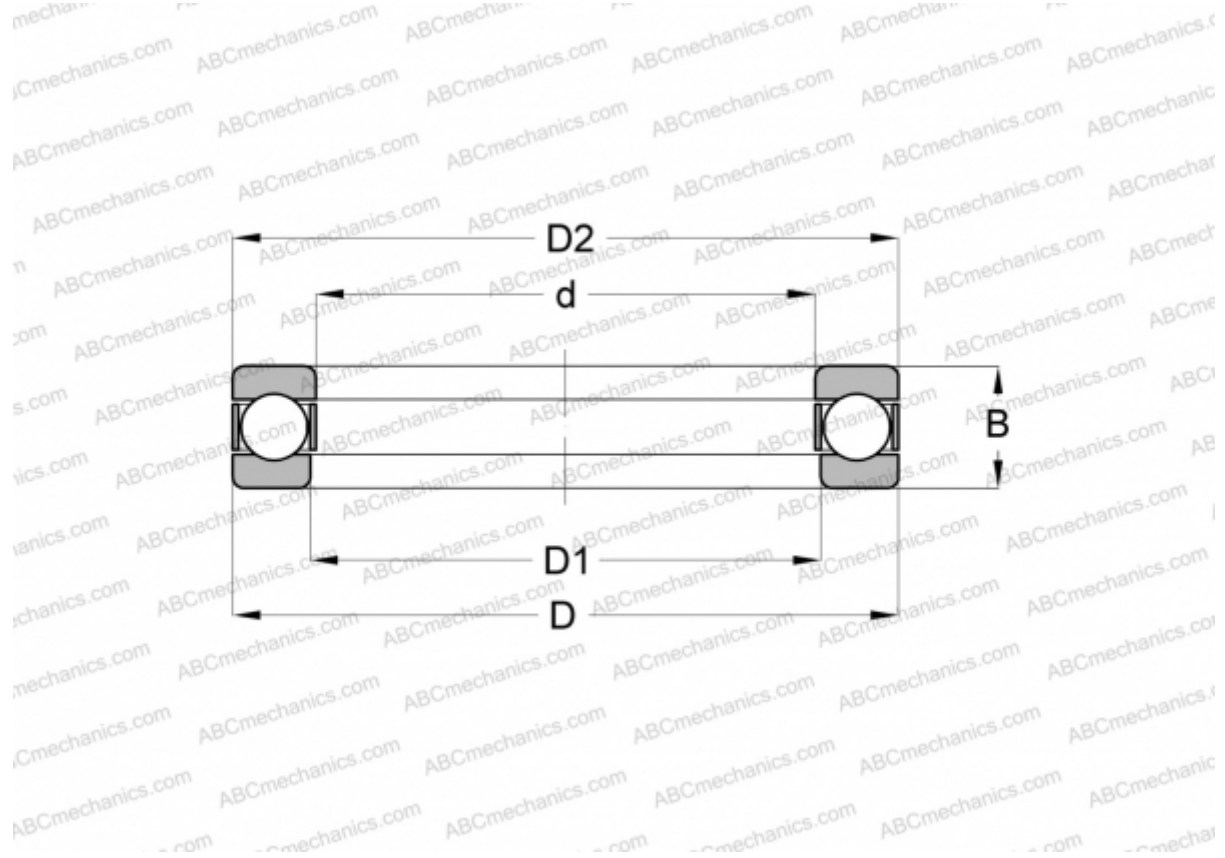


## HW-1 1/8 ABC

Thrust ball bearings

TYPE: Ball bearings, Thrust ball bearing, Single direction, Separable, inch size



### Technical specification

#### DIMENSIONS, MM

d	28,575
D	68,263
D1	31,750
D2	65,088
B	33,338

**WEIGHT, KG** 0,594

**MANUFACTURER** [ABC](#)

#### INTERCHANGE

INA	<a href="#">HW-1 1/8</a>
NORMA HOFFMAN	<a href="#">HW-1 1/8</a>
RHP	<a href="#">HTt-1 1/8</a>
SKF	<a href="#">VH-9</a>