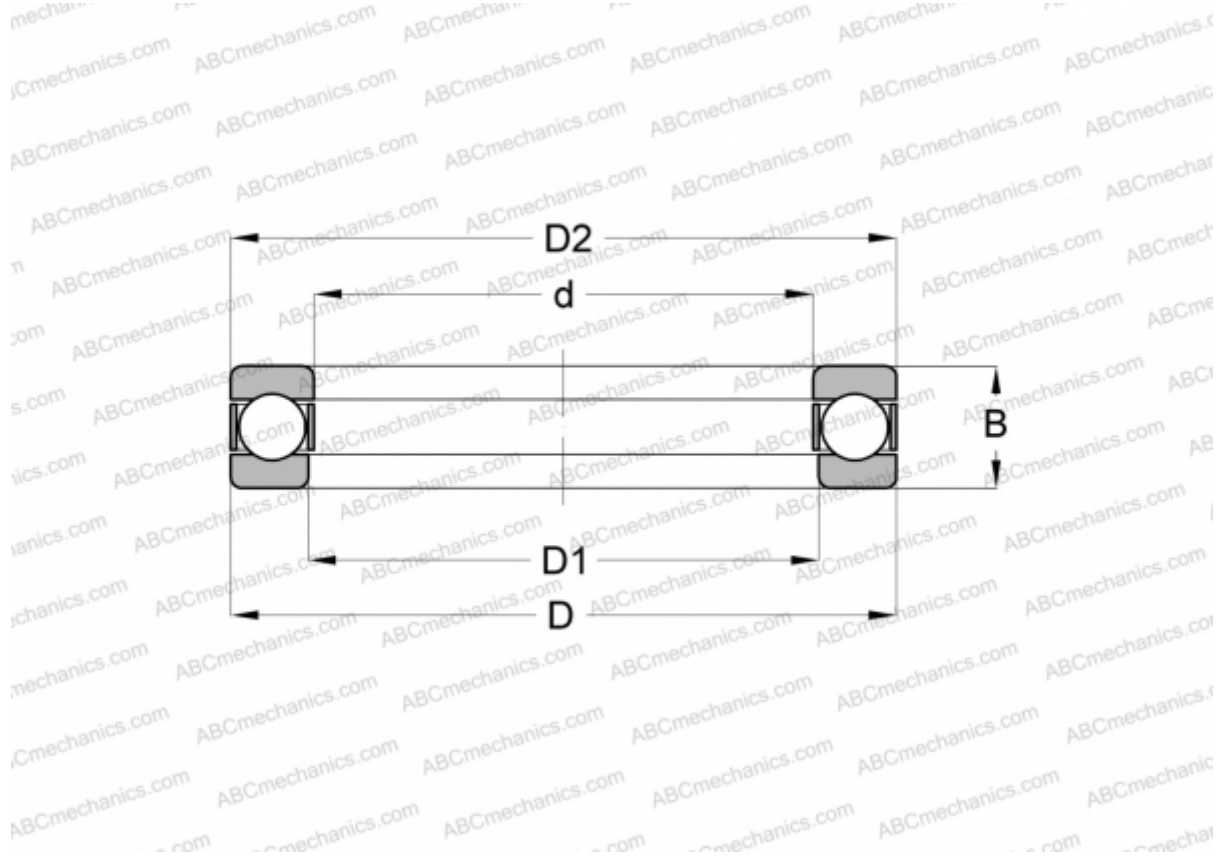


HW-1 3/8 INA

Thrust ball bearings

TYPE: Ball bearings, Thrust ball bearing, Single direction, Separable, inch size



Technical specification

DIMENSIONS, MM

d	34,925
D	79,375
D1	38,100
D2	76,200
B	38,100

WEIGHT, KG 0,907

MANUFACTURER [INA](#)

INTERCHANGE

ABC	HW-1 3/8
NORMA HOFFMAN	HW-1 3/8