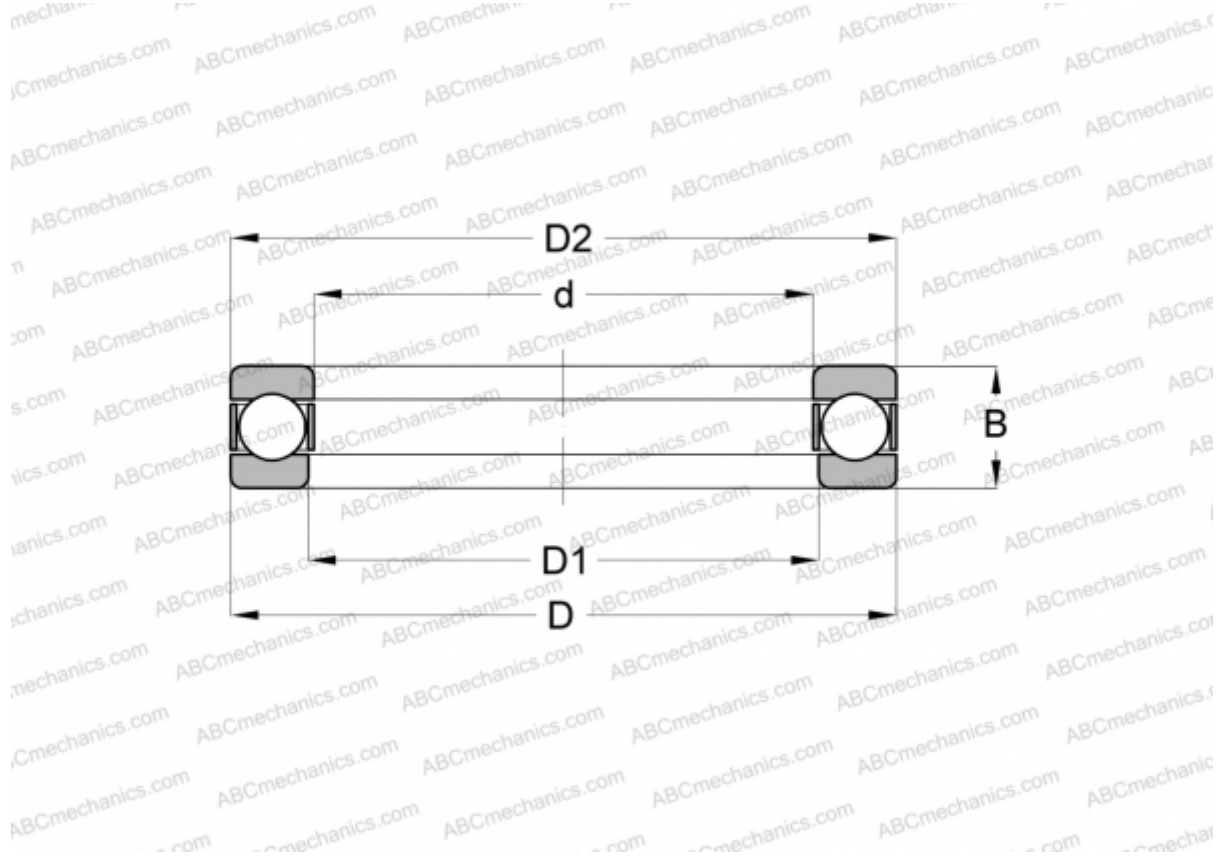


## HW-1 3/8 NORMA HOFFMAN

Thrust ball bearings

TYPE: Ball bearings, Thrust ball bearing, Single direction, Separable, inch size



### Technical specification

#### DIMENSIONS, MM

d	34,925
D	79,375
D1	38,100
D2	76,200
B	38,100

**WEIGHT, KG** 0,907

**MANUFACTURER** [NORMA](#)  
[HOFFMAN](#)

#### INTERCHANGE

ABC	<a href="#">HW-1 3/8</a>
INA	<a href="#">HW-1 3/8</a>