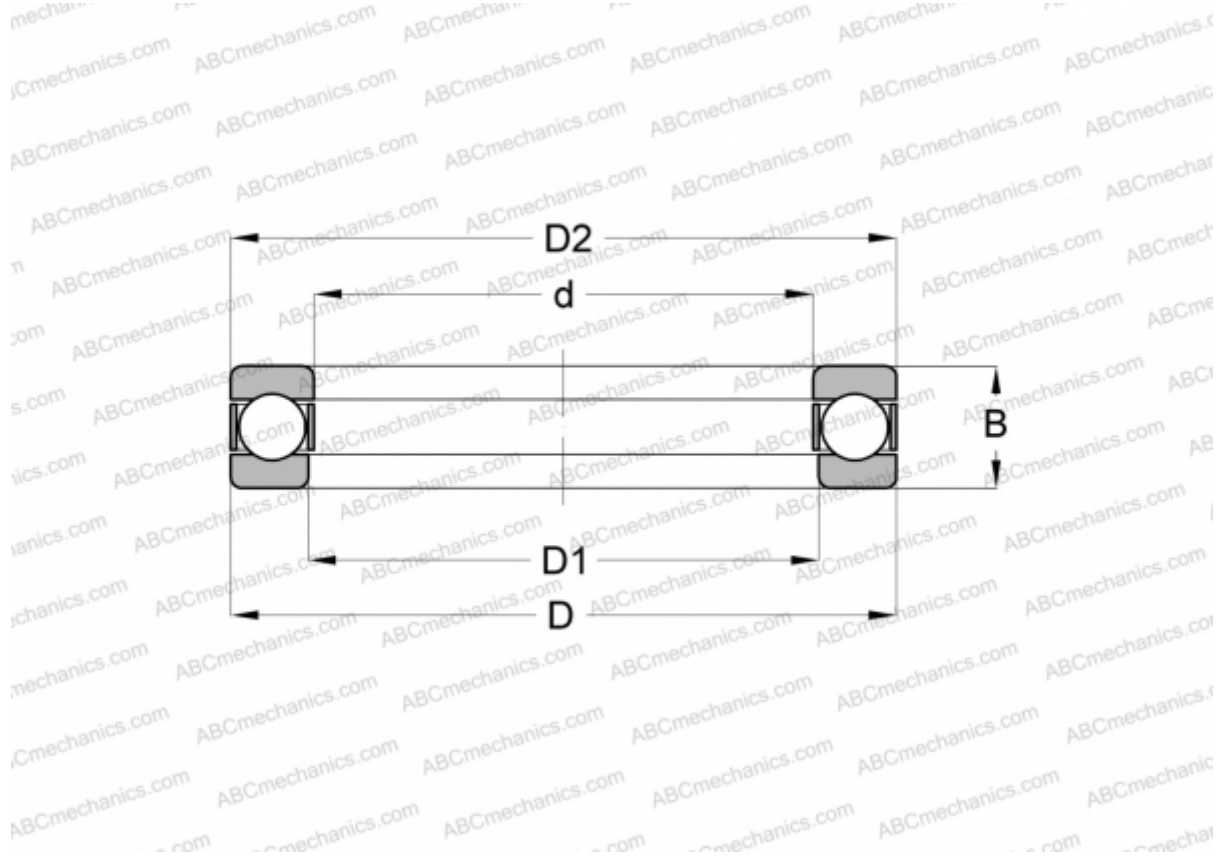


## 4411 ABC

Thrust ball bearings

TYPE: Ball bearings, Thrust ball bearing, Single direction, Separable, inch size



### Technical specification

#### DIMENSIONS, MM

d	28,575
D	55,563
D1	29,362
B	19,050

**WEIGHT, KG** 0,206

**MANUFACTURER** [ABC](#)

#### INTERCHANGE

INA	<a href="#">4411</a>
AETNA	<a href="#">G-11</a>
ANDREWS	<a href="#">4411</a>