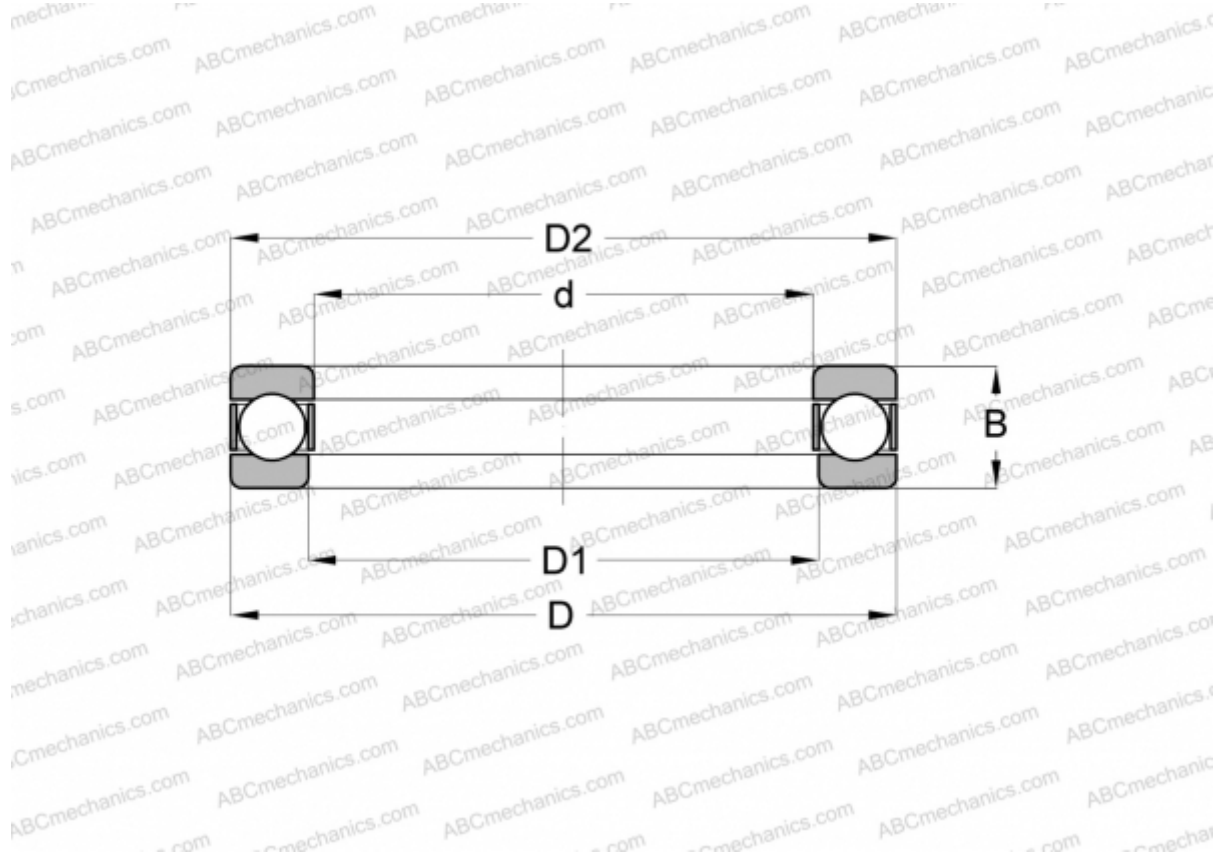


## G-12 AETNA

Thrust ball bearings

TYPE: Ball bearings, Thrust ball bearing, Single direction, Separable, inch size



### Technical specification

#### DIMENSIONS, MM

d	30,163
D	55,563
D1	30,963
B	19,050

**WEIGHT, KG** 0,198

**MANUFACTURER** [AETNA](#)

#### INTERCHANGE

ABC	<a href="#">4412</a>
INA	<a href="#">4412</a>
ANDREWS	<a href="#">4412</a>