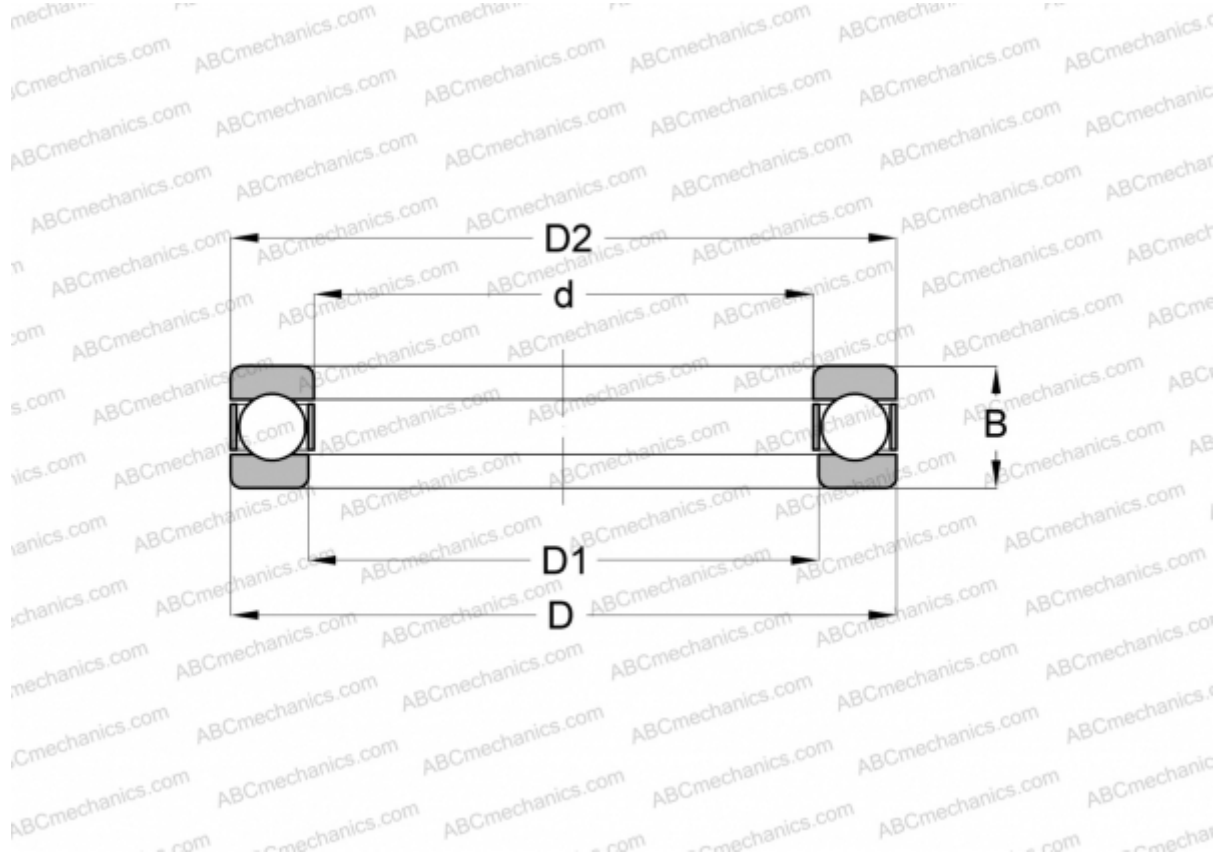


G-13 AETNA

Thrust ball bearings

TYPE: Ball bearings, Thrust ball bearing, Single direction, Separable, inch size



Technical specification

DIMENSIONS, MM

d	31,750
D	58,738
D1	32,537
B	19,050

WEIGHT, KG 0,219

MANUFACTURER [AETNA](#)

INTERCHANGE

ABC	4413
INA	4413
ANDREWS	4413