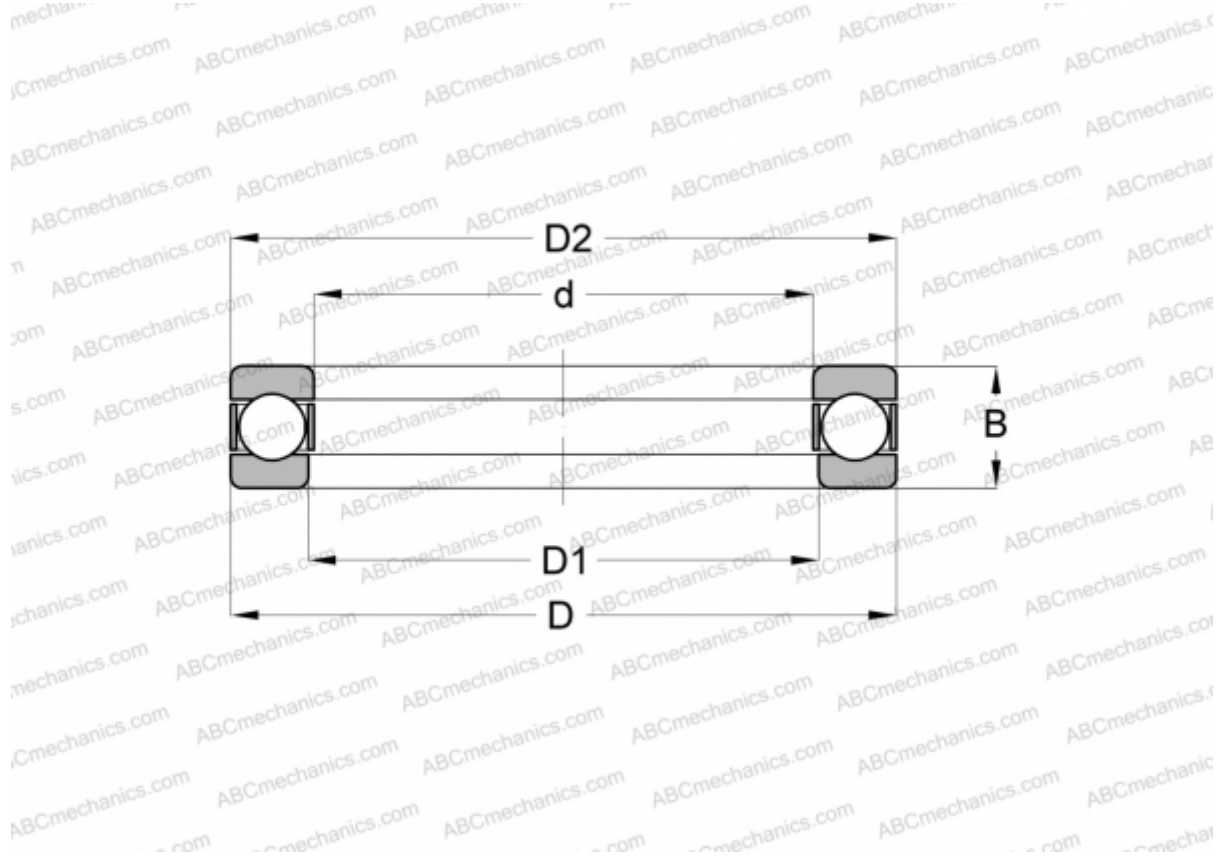


4414 INA

Thrust ball bearings

TYPE: Ball bearings, Thrust ball bearing, Single direction, Separable, inch size



Technical specification

DIMENSIONS, MM

d	33,338
D	58,738
D1	34,138
B	19,050

WEIGHT, KG 0,213

MANUFACTURER [INA](#)

INTERCHANGE

ABC	4414
AETNA	G-14
ANDREWS	4414