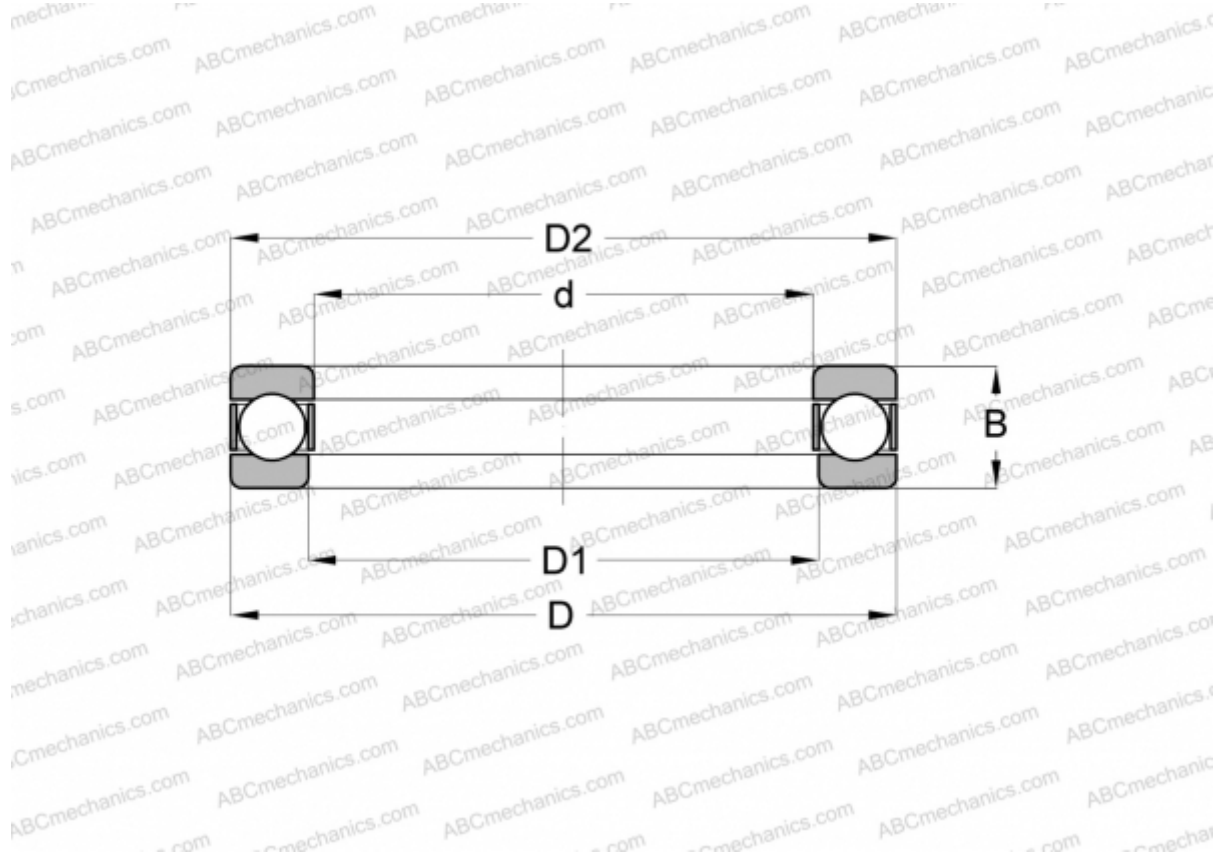


GT-4 ABC

Thrust ball bearings

TYPE: Ball bearings, Thrust ball bearing, Single direction, Separable, inch size



Technical specification

DIMENSIONS, MM

d	17,463
D	34,130
D1	18,255
B	14,288

WEIGHT, KG 0,061

MANUFACTURER [ABC](#)

INTERCHANGE

INA	GT-4
AETNA	F-4
ANDREWS	GT-4