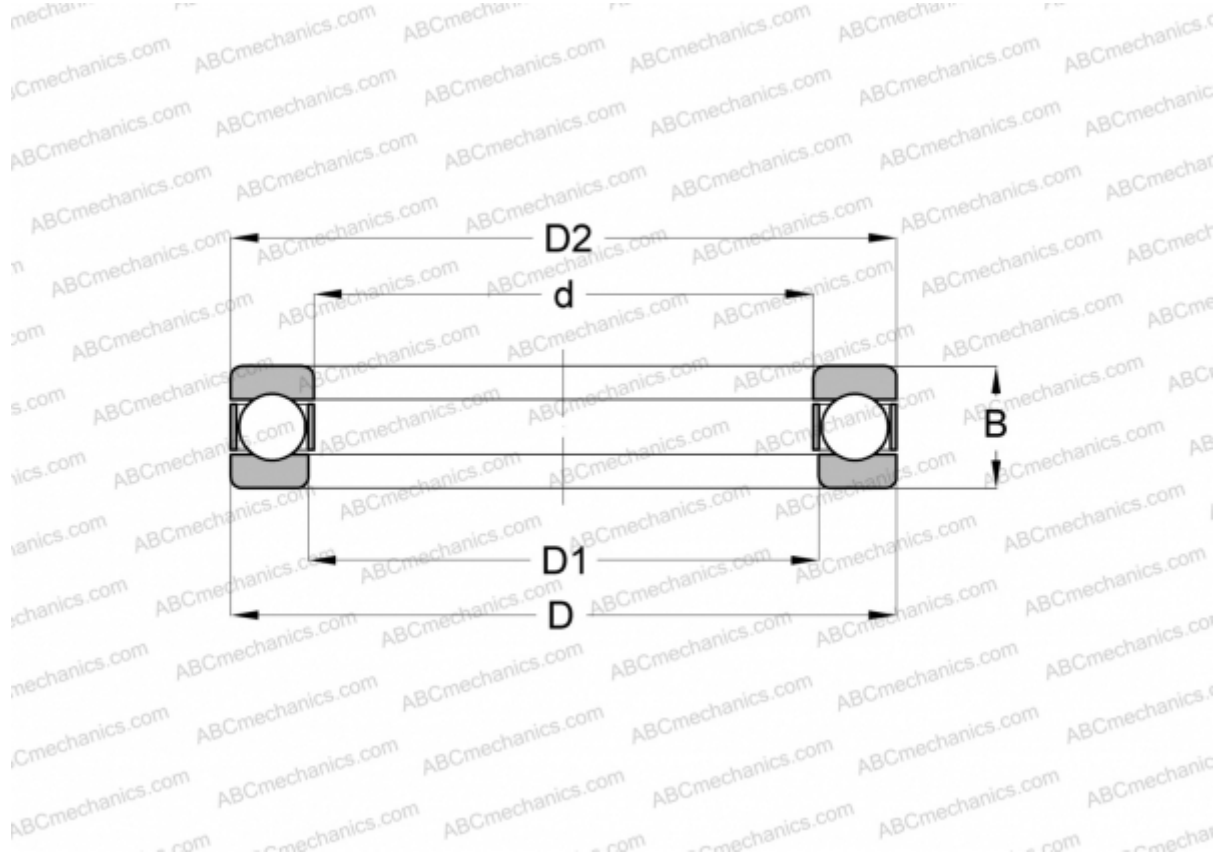


F-11 AETNA

Thrust ball bearings

TYPE: Ball bearings, Thrust ball bearing, Single direction, Separable, inch size



Technical specification

DIMENSIONS, MM

d	28,575
D	53,180
D1	29,368
B	15,875

WEIGHT, KG 0,133

MANUFACTURER [AETNA](#)

INTERCHANGE

ABC	GT-11
INA	GT-11
ANDREWS	GT-11
NICE	1011