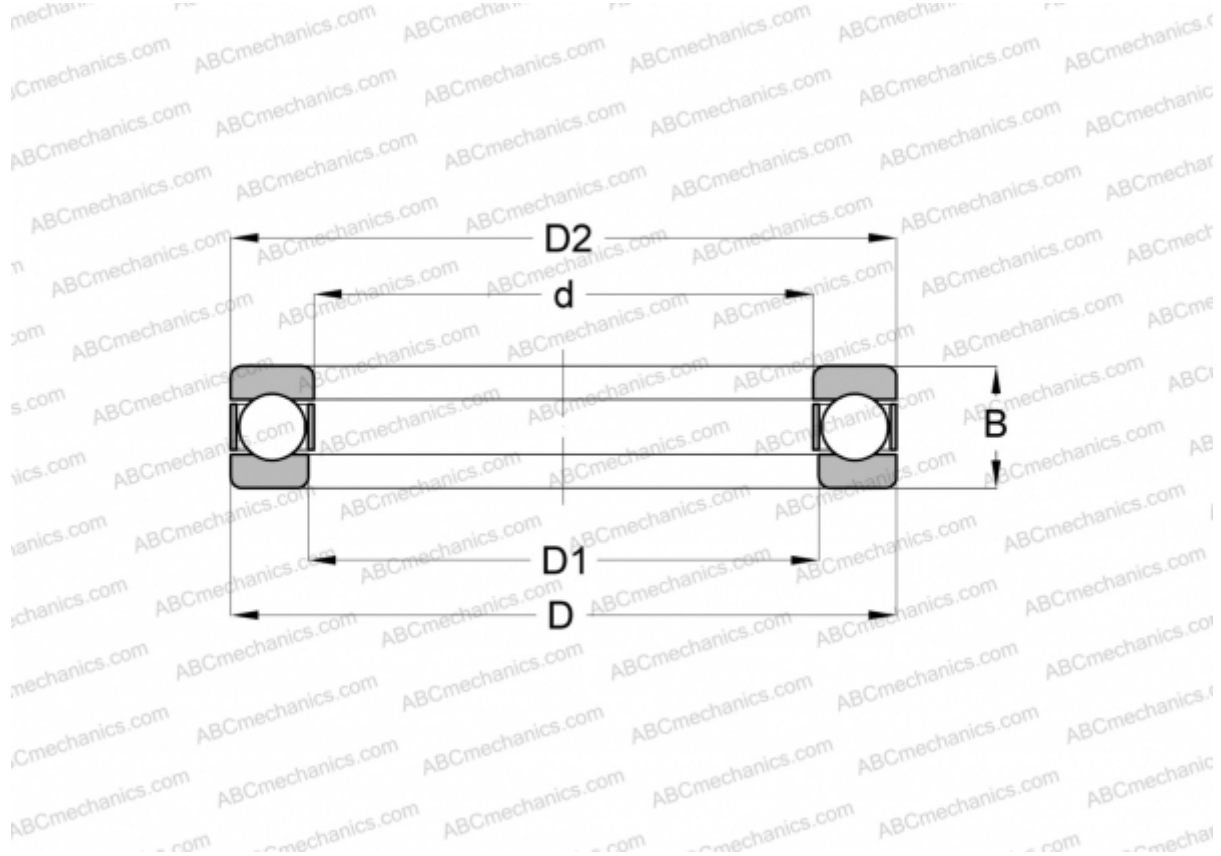


## 1011 NICE

Thrust ball bearings

TYPE: Ball bearings, Thrust ball bearing, Single direction, Separable, inch size



### Technical specification

#### DIMENSIONS, MM

d	28,575
D	53,180
D1	29,368
B	15,875

**WEIGHT, KG** 0,133

**MANUFACTURER** [NICE](#)

#### INTERCHANGE

ABC	<a href="#">GT-11</a>
INA	<a href="#">GT-11</a>
AETNA	<a href="#">F-11</a>
ANDREWS	<a href="#">GT-11</a>