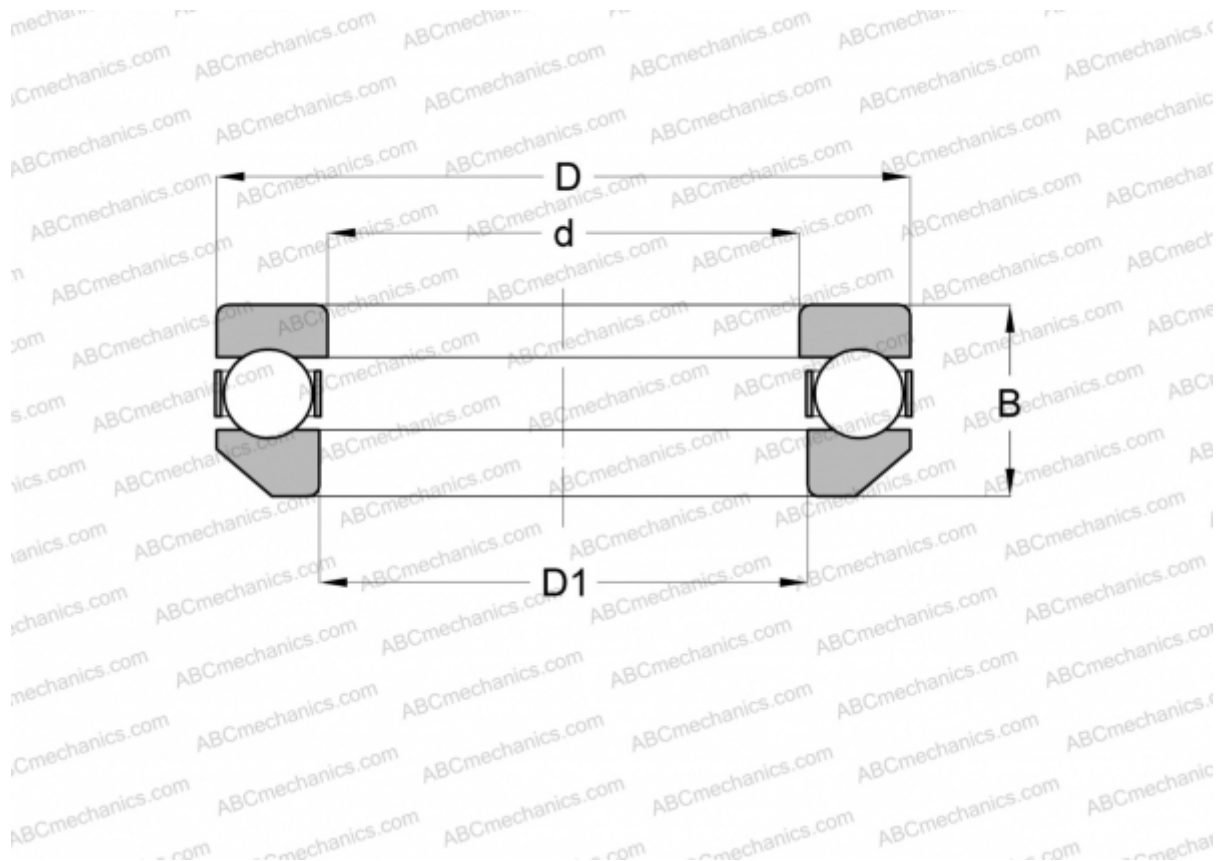


## 4125 INA

Thrust ball bearings

TYPE: Ball bearings, Thrust ball bearing, Single direction, Separable, angular adjustment facility series 41/5



### Technical specification

#### DIMENSIONS, MM

d	125,000
D	175,000
D1	127,991
B	53,000

**WEIGHT, KG** 4,041

**MANUFACTURER** [INA](#)