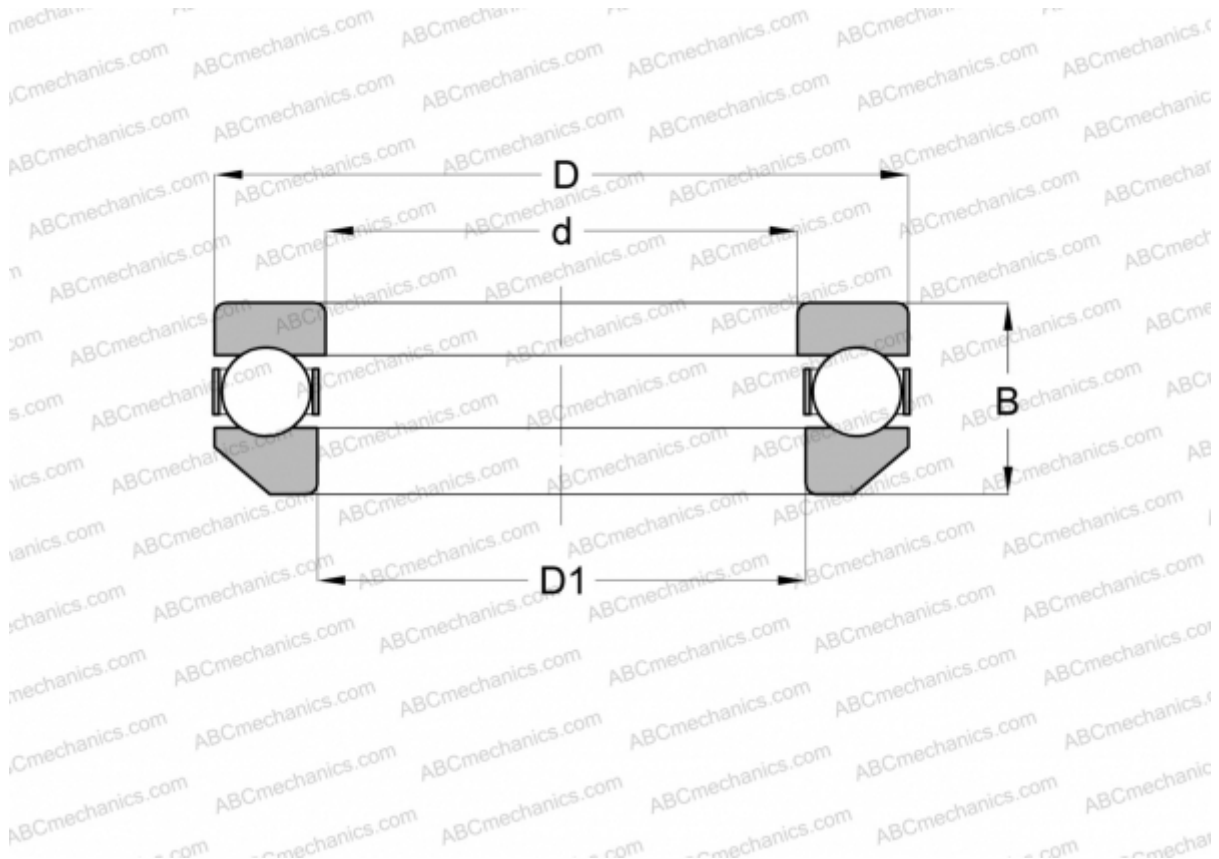


## 4126 INA

Thrust ball bearings

TYPE: Ball bearings, Thrust ball bearing, Single direction, Separable, angular adjustment facility series 41/5



### Technical specification

#### DIMENSIONS, MM

|    |         |
|----|---------|
| d  | 130,000 |
| D  | 180,000 |
| D1 | 132,994 |
| B  | 53,000  |

**WEIGHT, KG** 4,080

**MANUFACTURER** [INA](#)