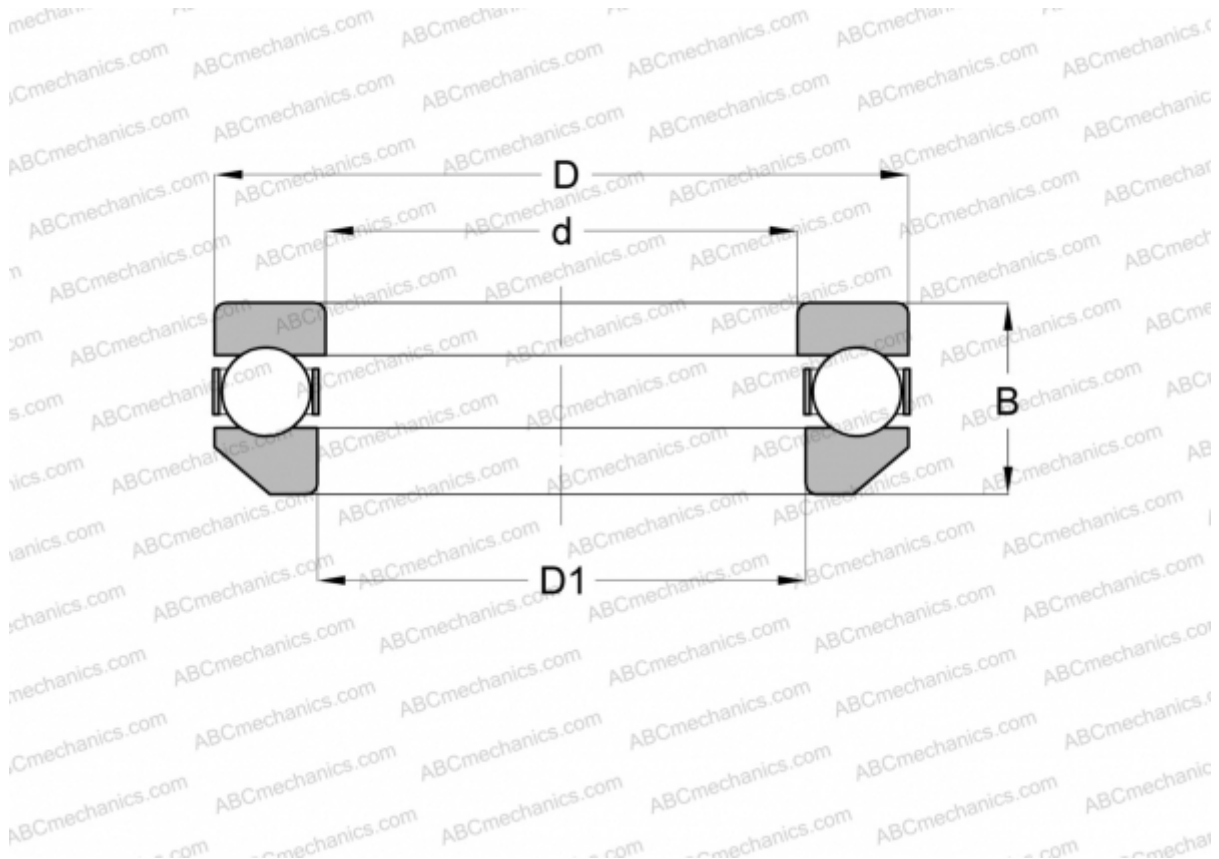


4134 INA

Thrust ball bearings

TYPE: Ball bearings, Thrust ball bearing, Single direction, Separable, angular adjustment facility series 41/5



Technical specification

DIMENSIONS, MM

| | |
|----|---------|
| d | 170,000 |
| D | 260,000 |
| D1 | 173,990 |
| B | 70,000 |

WEIGHT, KG 11,596

MANUFACTURER [INA](#)