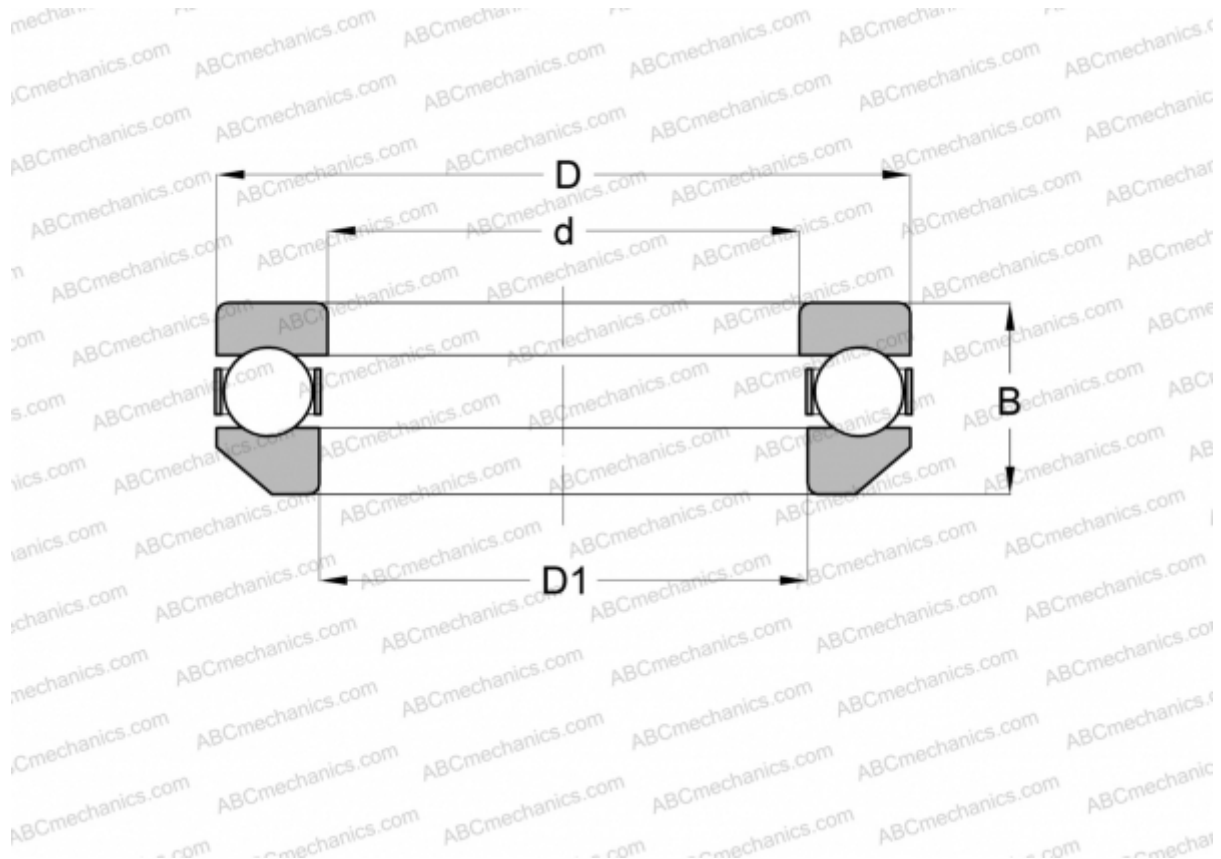


4136 INA

Thrust ball bearings

TYPE: Ball bearings, Thrust ball bearing, Single direction, Separable, angular adjustment facility series 41/5



Technical specification

DIMENSIONS, MM

d	180,000
D	260,000
D1	183,998
B	70,000

WEIGHT, KG 12,141

MANUFACTURER [INA](#)