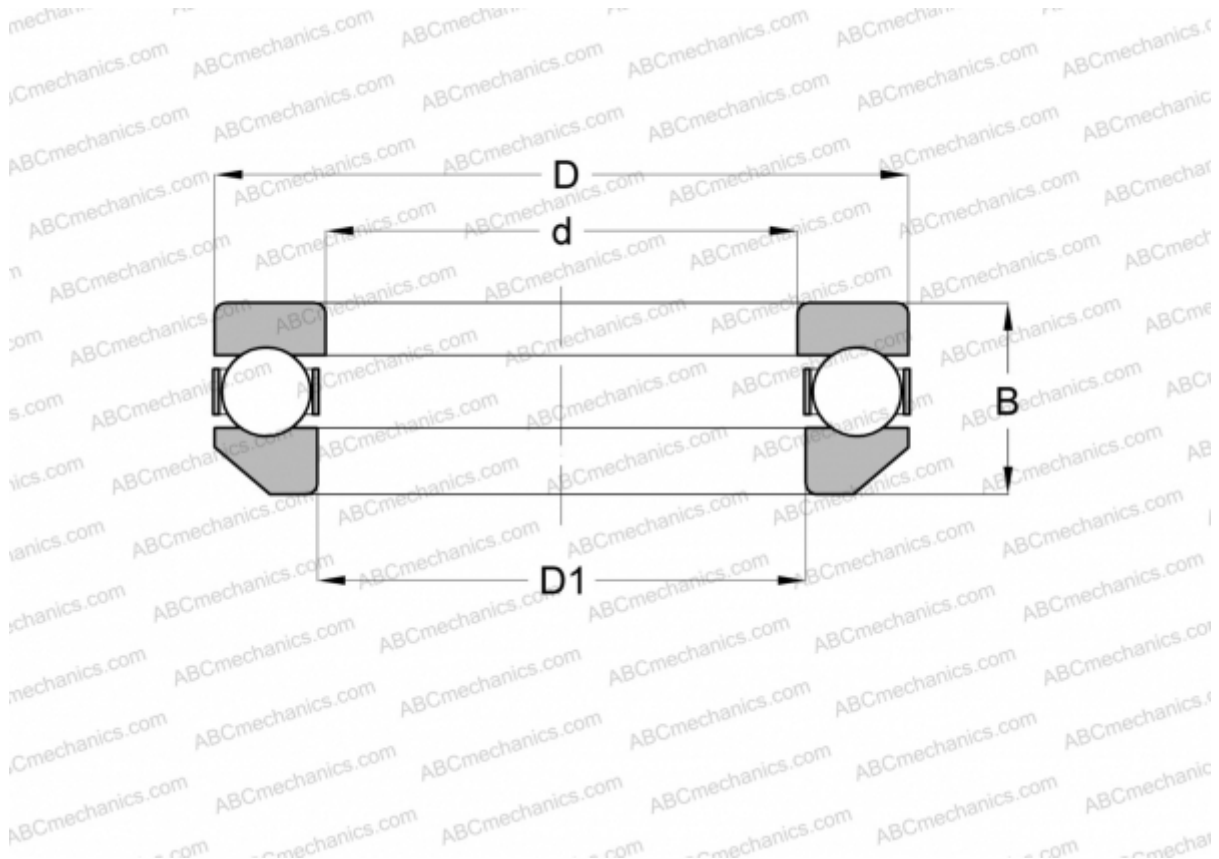


## 52X12 INA

Thrust ball bearings

TYPE: Ball bearings, Thrust ball bearing, Single direction, Separable, angular adjustment facility series 41/5



### Technical specification

#### DIMENSIONS, MM

d	133,375
D	181,230
D1	137,058
B	37,720

**WEIGHT, KG** 2,774

**MANUFACTURER** [INA](#)