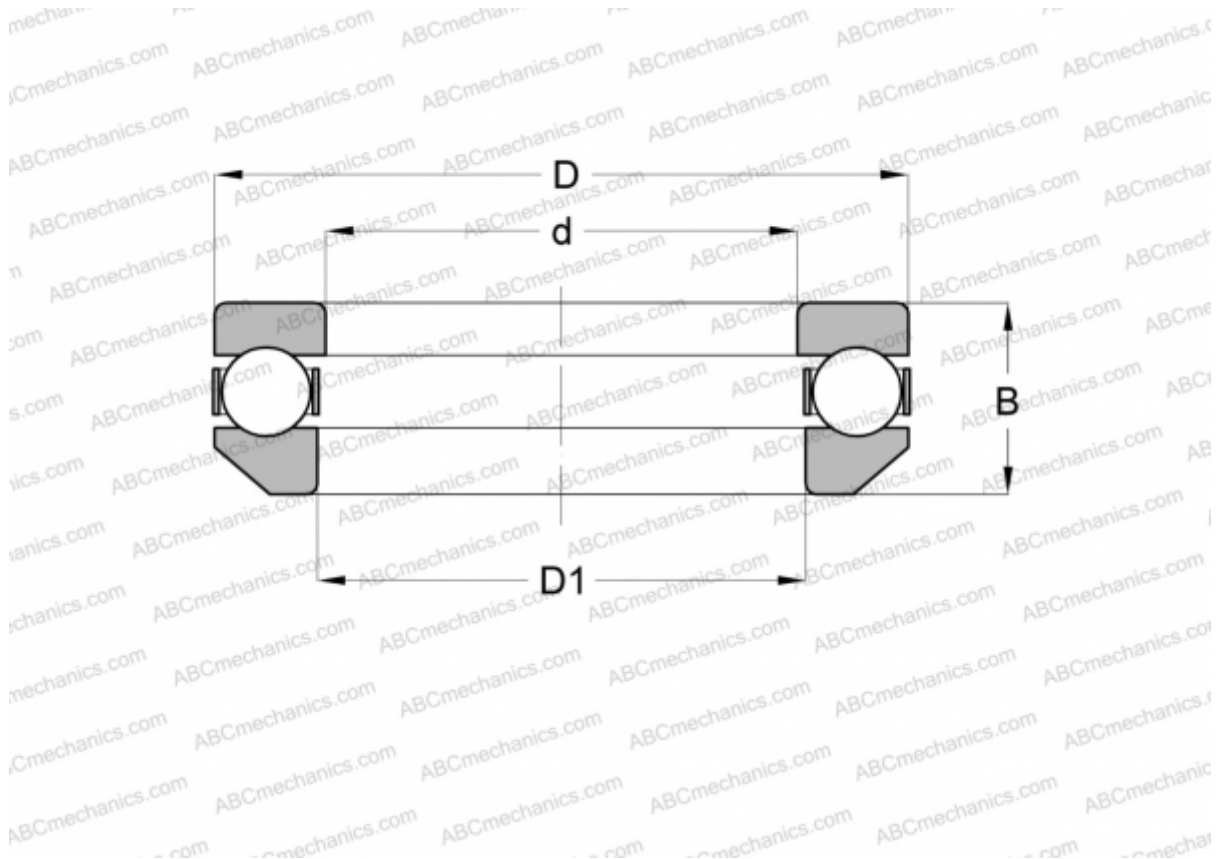


52YM04Z INA

Thrust ball bearings

TYPE: Ball bearings, Thrust ball bearing, Single direction, Separable, angular adjustment facility series 41/5



Technical specification

DIMENSIONS, MM

d	133,375
D	184,630
D1	137,058
B	37,340

WEIGHT, KG 2,830

MANUFACTURER [INA](#)