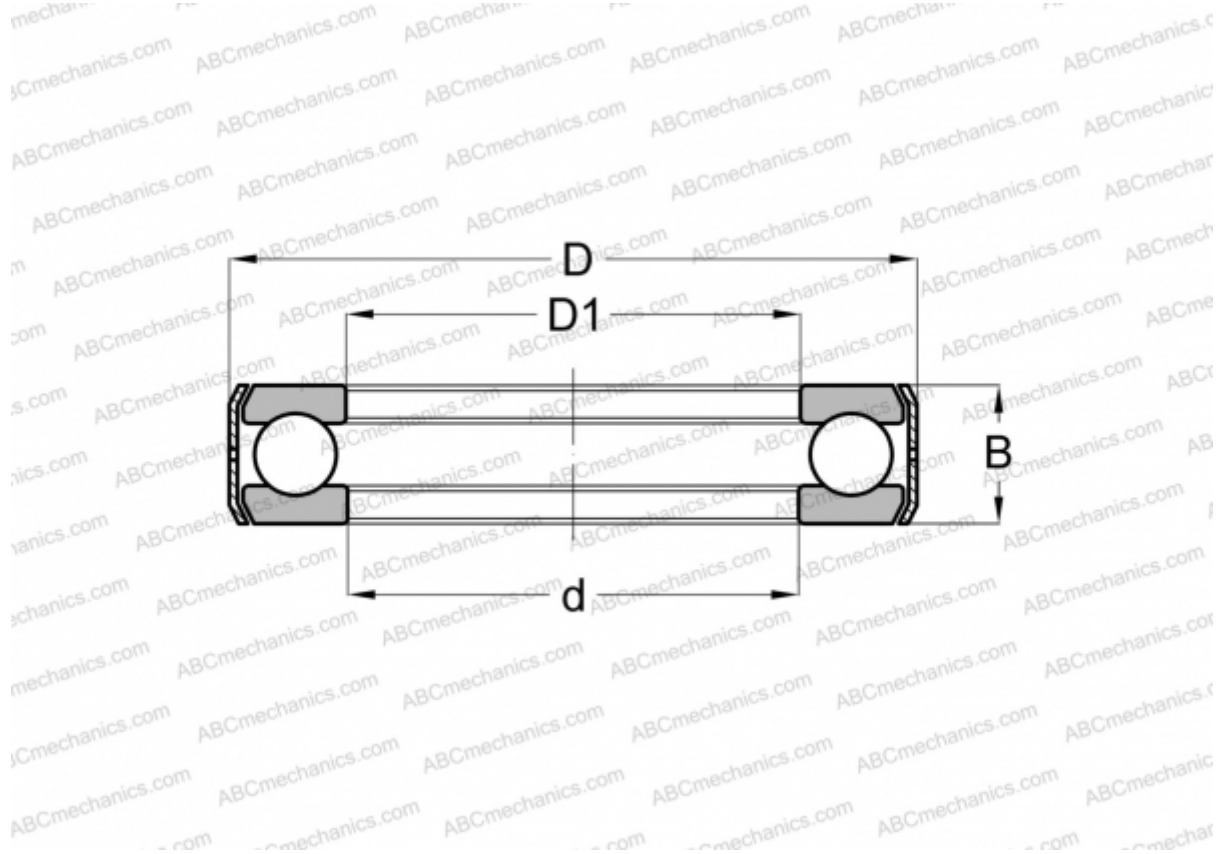


E-1 AETNA

Thrust ball bearings

TYPE: Ball bearings, Thrust ball bearing, Single direction, With bracket, inch size



Technical specification

DIMENSIONS, MM

d	12,700
D	30,955
D1	13,493
B	14,288

MANUFACTURER [AETNA](#)

INTERCHANGE

INA	D1
-----	--------------------