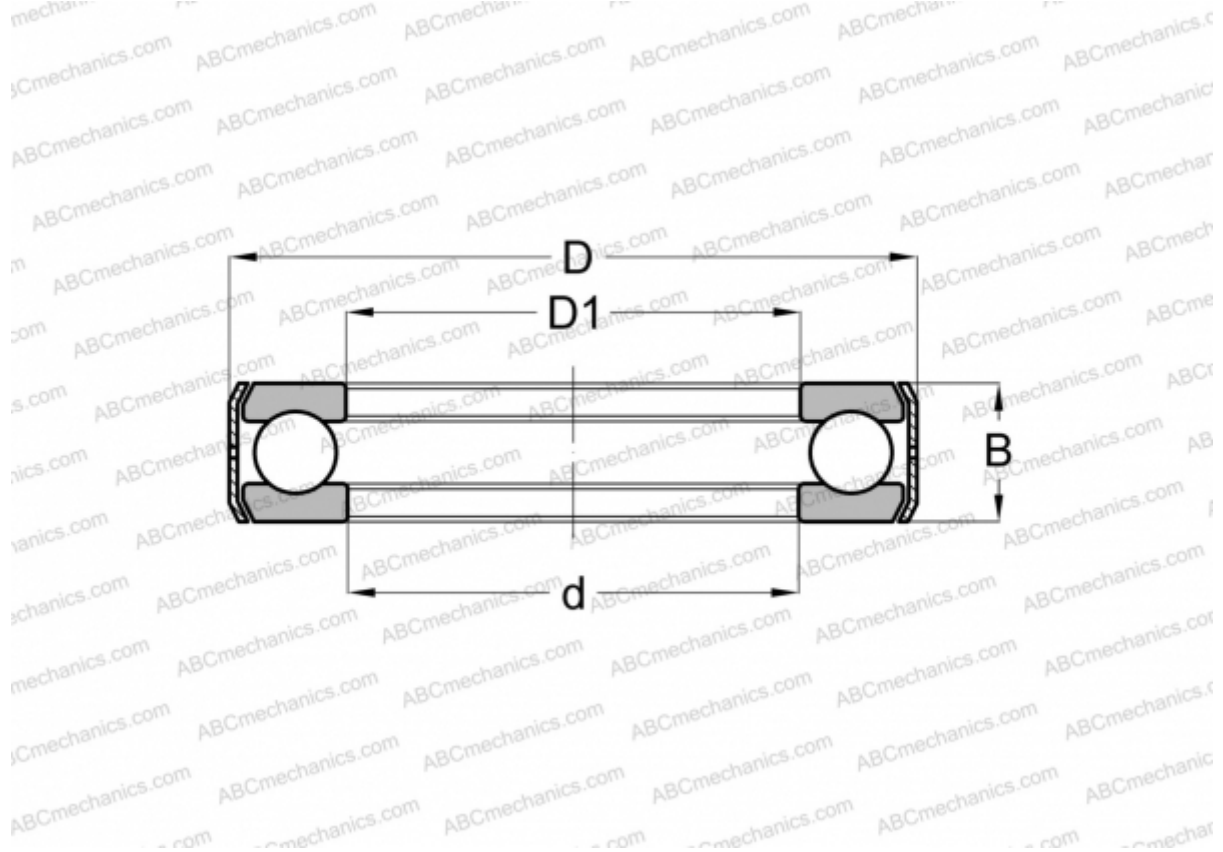


E-2 AETNA

Thrust ball bearings

TYPE: Ball bearings, Thrust ball bearing, Single direction, With bracket, inch size



Technical specification

DIMENSIONS, MM

d	14,288
D	30,955
D1	15,080
B	14,288

WEIGHT, KG 0,051

MANUFACTURER [AETNA](#)

INTERCHANGE

INA	D2
-----	--------------------