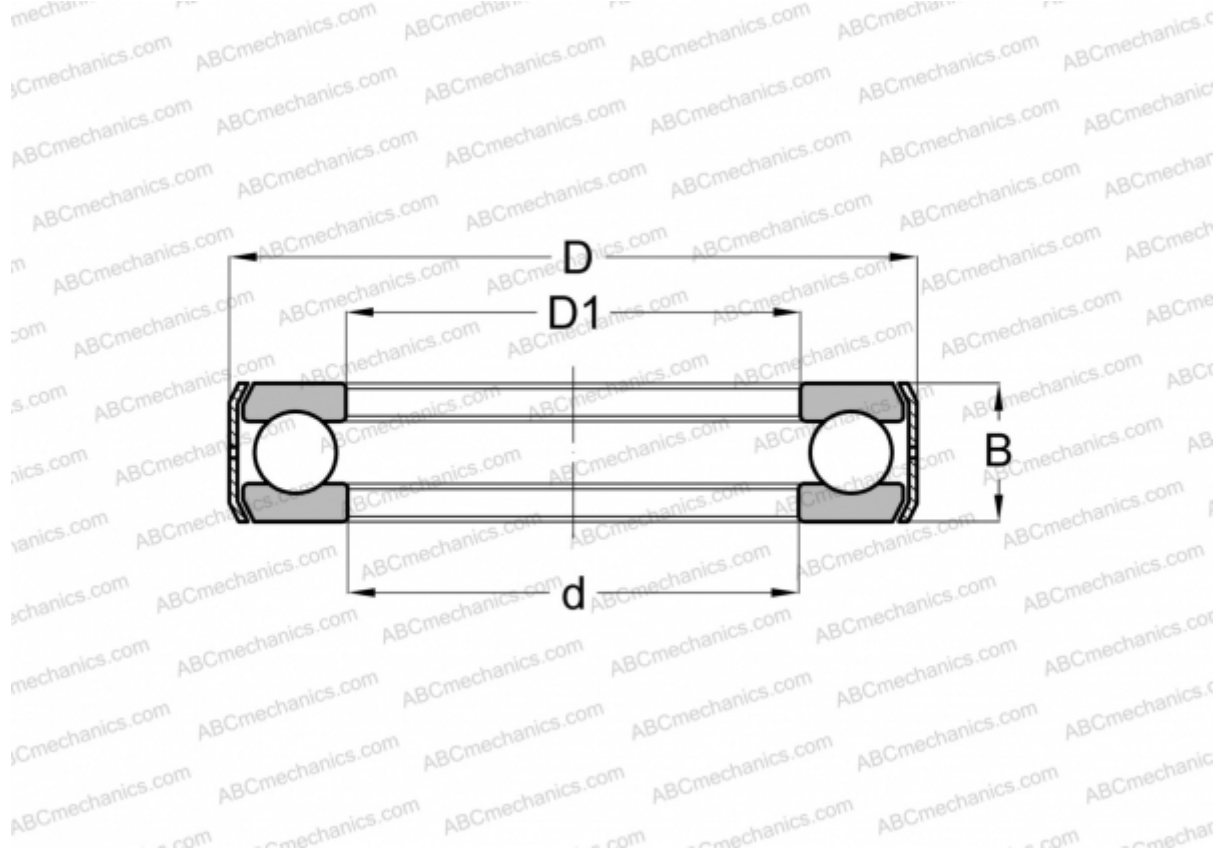


D3 INA

Thrust ball bearings

TYPE: Ball bearings, Thrust ball bearing, Single direction, With bracket, inch size



Technical specification

DIMENSIONS, MM

d	15,875
D	34,130
D1	16,668
B	14,288

WEIGHT, KG 0,063

MANUFACTURER [INA](#)

INTERCHANGE

AETNA	E-3
-------	---------------------