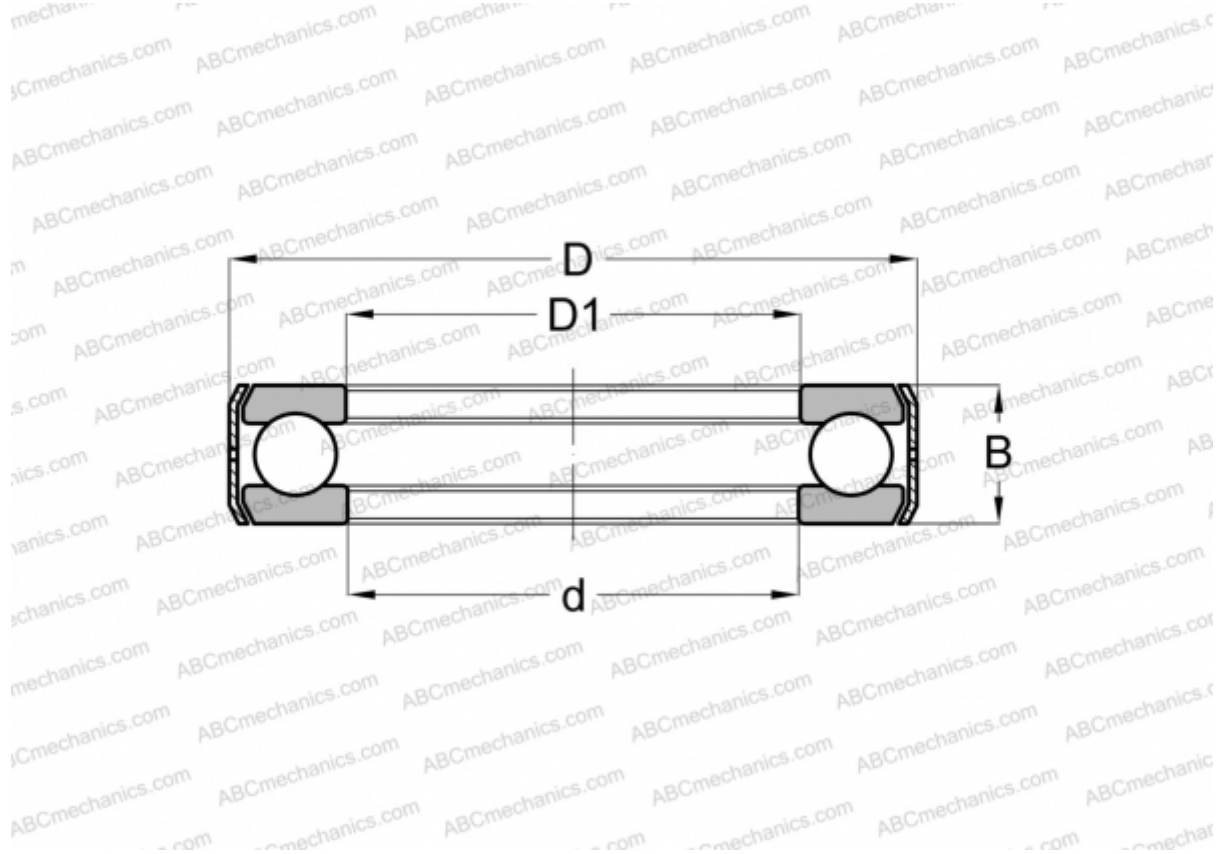


D17 INA

Thrust ball bearings

TYPE: Ball bearings, Thrust ball bearing, Single direction, With bracket, inch size



Technical specification

DIMENSIONS, MM

d	38,100
D	65,880
D1	38,633
B	15,875

WEIGHT, KG 0,209

MANUFACTURER [INA](#)

INTERCHANGE

AETNA	E-17
-------	----------------------