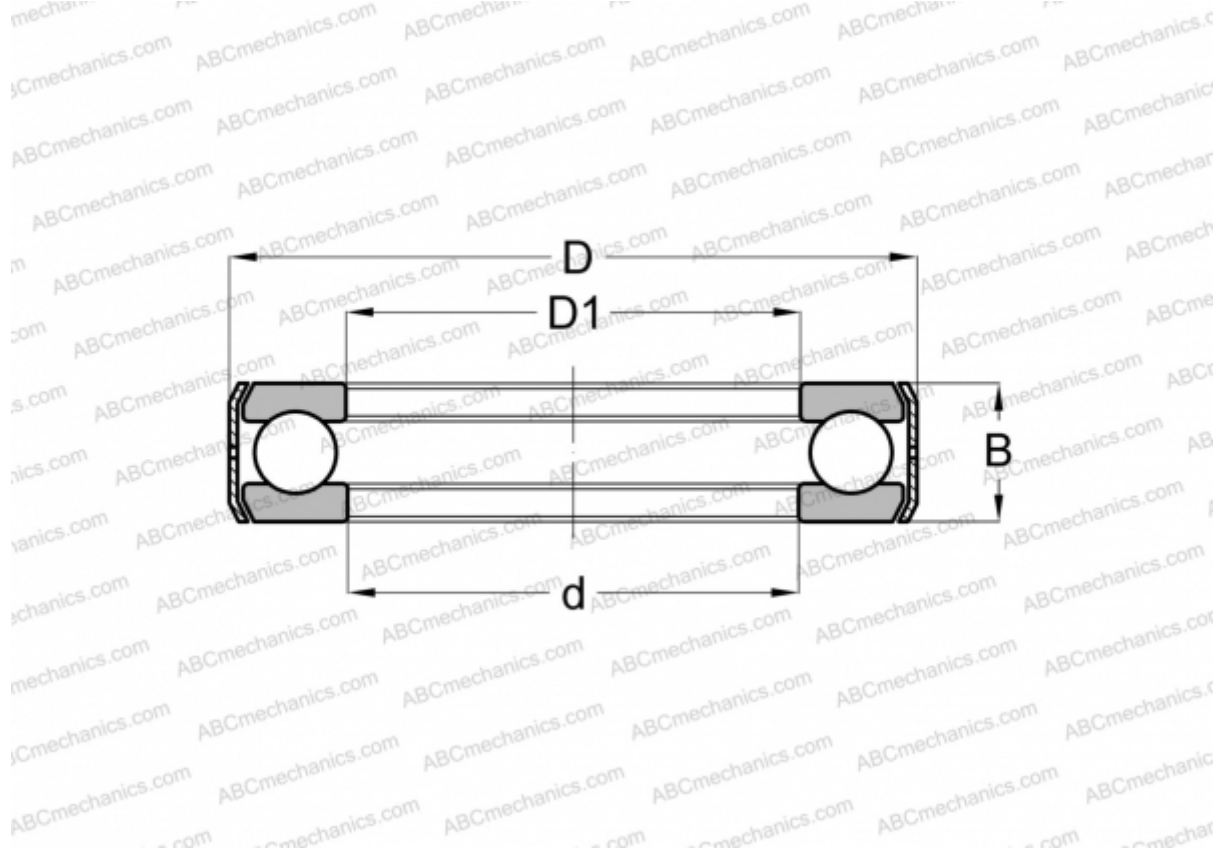


D17A INA

Thrust ball bearings

TYPE: Ball bearings, Thrust ball bearing, Single direction, With bracket, inch size



Technical specification

DIMENSIONS, MM

d	38,100
D	64,643
D1	38,633
B	15,990

WEIGHT, KG 0,209

MANUFACTURER [INA](#)