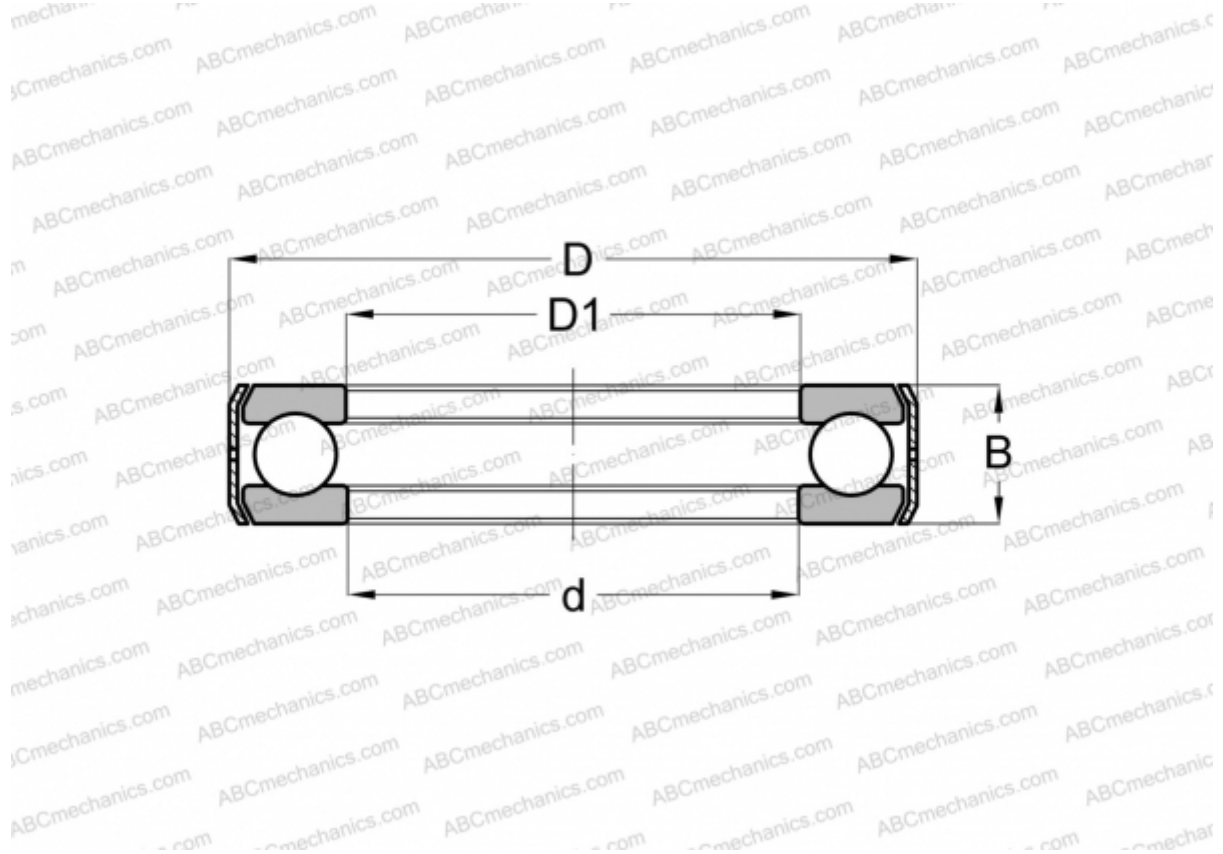


D26 INA

Thrust ball bearings

TYPE: Ball bearings, Thrust ball bearing, Single direction, With bracket, inch size



Technical specification

DIMENSIONS, MM

d	52,388
D	84,930
D1	53,180
B	20,638

WEIGHT, KG 0,431

MANUFACTURER [INA](#)

INTERCHANGE

AETNA [E-26](#)