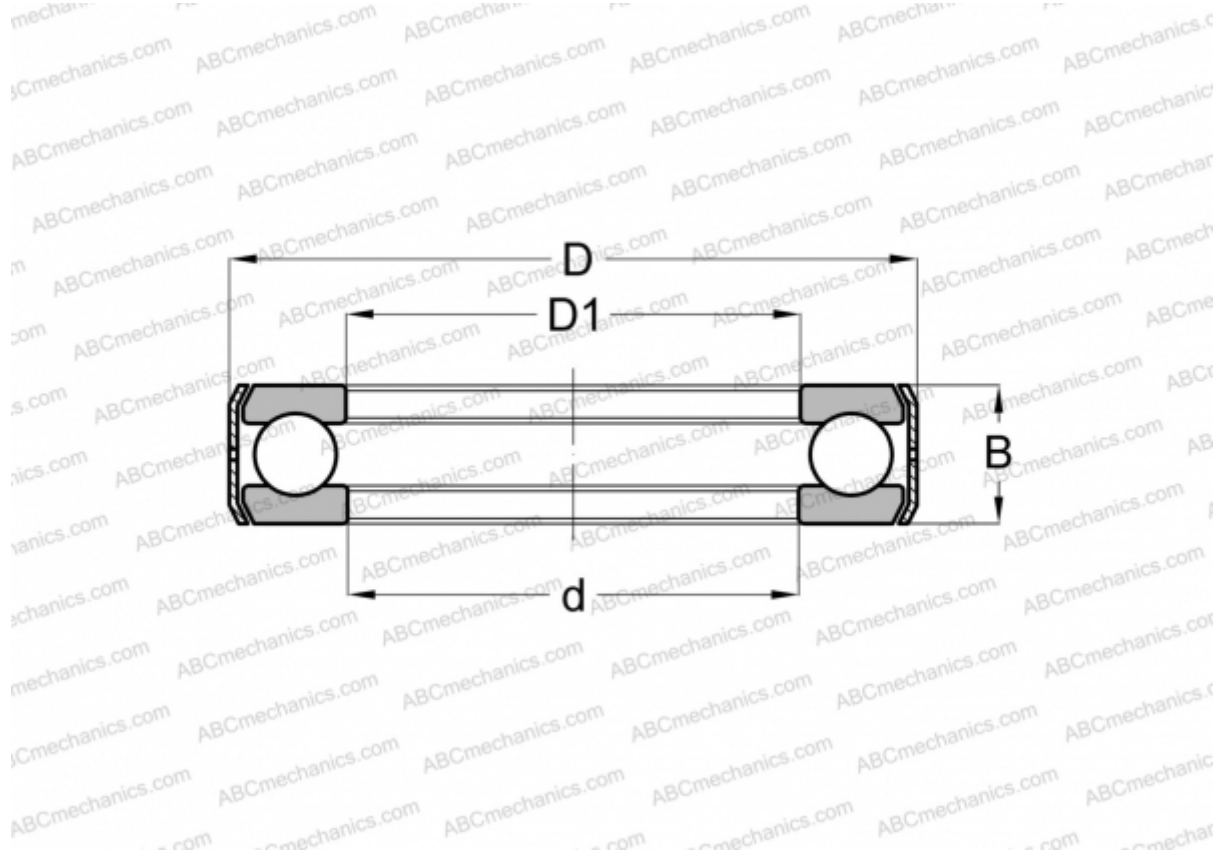


## D39 INA

Thrust ball bearings

TYPE: Ball bearings, Thrust ball bearing, Single direction, With bracket, inch size



### Technical specification

#### DIMENSIONS, MM

d	74,613
D	116,680
D1	75,405
B	25,400

**WEIGHT, KG** 0,966

**MANUFACTURER** [INA](#)

#### INTERCHANGE

AETNA [E-40](#)