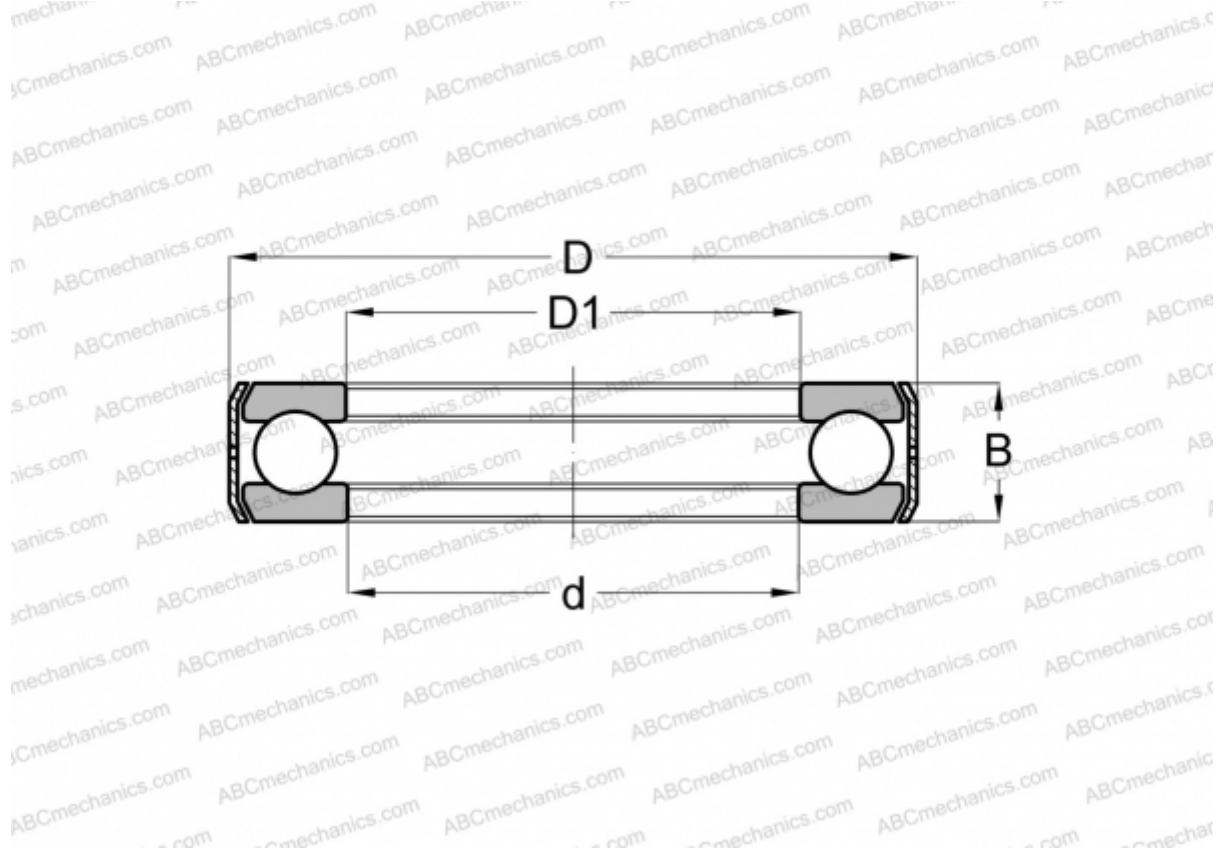


E-45 AETNA

Thrust ball bearings

TYPE: Ball bearings, Thrust ball bearing, Single direction, With bracket, inch size



Technical specification

DIMENSIONS, MM

d	88,900
D	132,555
D1	89,693
B	25,400

WEIGHT, KG 1,148

MANUFACTURER [AETNA](#)

INTERCHANGE

INA	D42
-----	---------------------