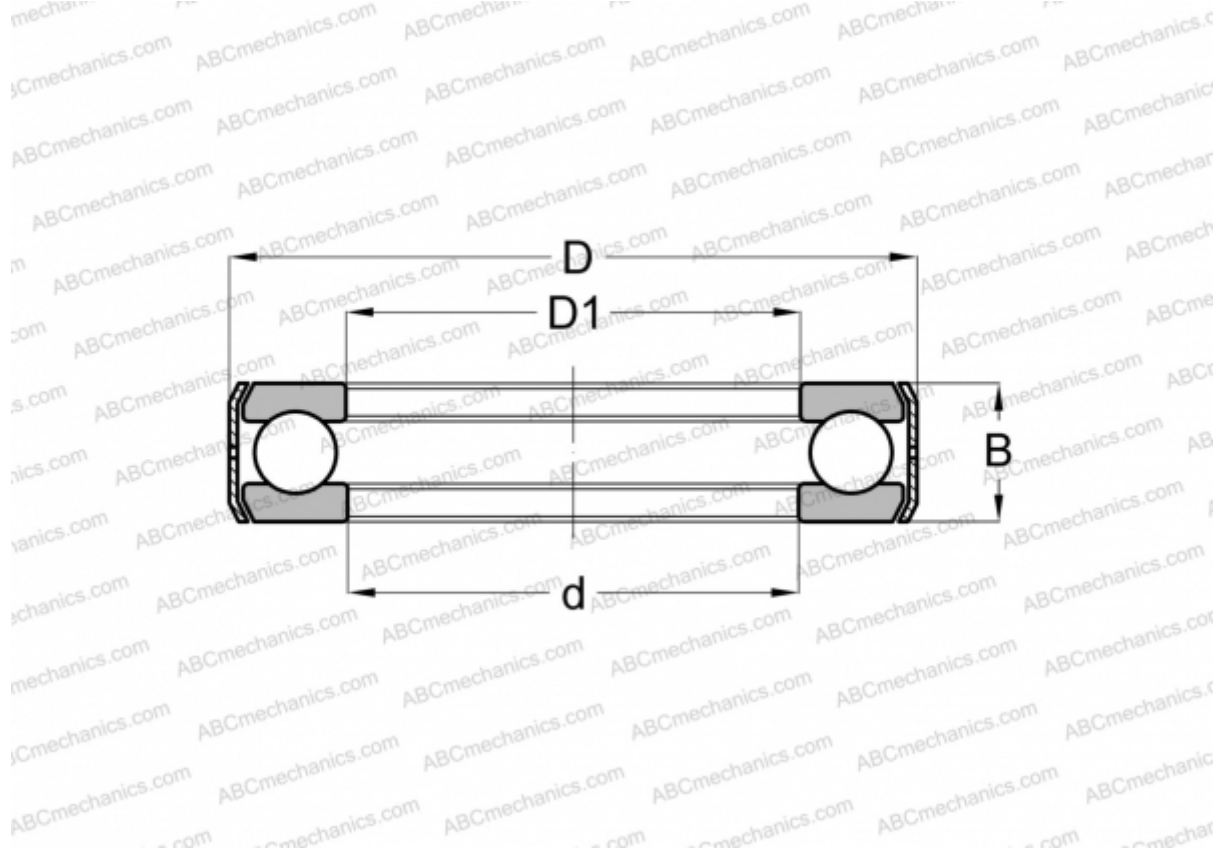


## B1 INA

Thrust ball bearings

TYPE: Ball bearings, Thrust ball bearing, Single direction, With bracket, inch size



### Technical specification

#### DIMENSIONS, MM

|    |        |
|----|--------|
| d  | 12,700 |
| D  | 30,956 |
| D1 | 13,487 |
| B  | 15,880 |

**WEIGHT, KG** 0,060

**MANUFACTURER** [INA](#)