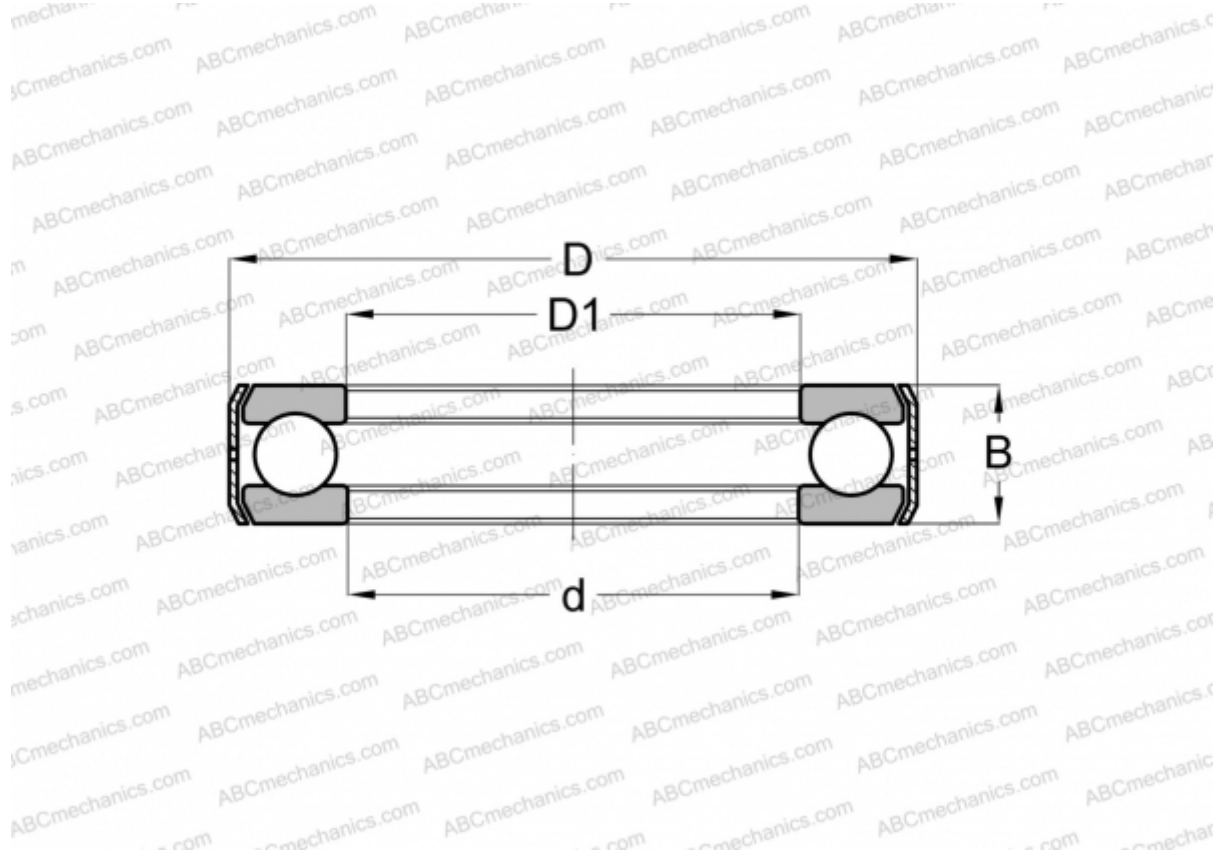


B32 INA

Thrust ball bearings

TYPE: Ball bearings, Thrust ball bearing, Single direction, With bracket, inch size



Technical specification

DIMENSIONS, MM

| | |
|----|--------|
| d | 61,913 |
| D | 97,640 |
| D1 | 62,713 |
| B | 22,225 |

WEIGHT, KG 0,561

MANUFACTURER [INA](#)