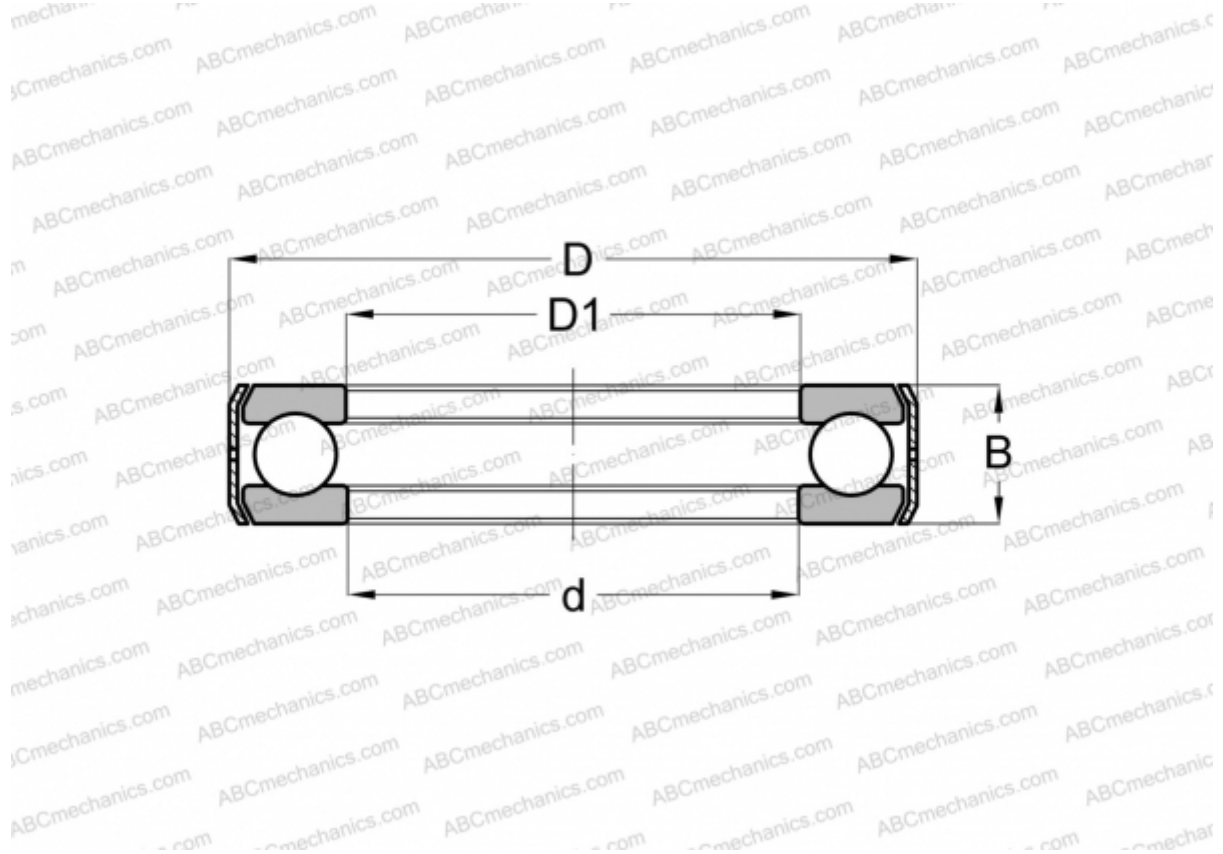


B38 INA

Thrust ball bearings

TYPE: Ball bearings, Thrust ball bearing, Single direction, With bracket, inch size



Technical specification

DIMENSIONS, MM

| | |
|----|---------|
| d | 71,438 |
| D | 113,510 |
| D1 | 72,238 |
| B | 28,580 |

WEIGHT, KG 1,005

MANUFACTURER [INA](#)