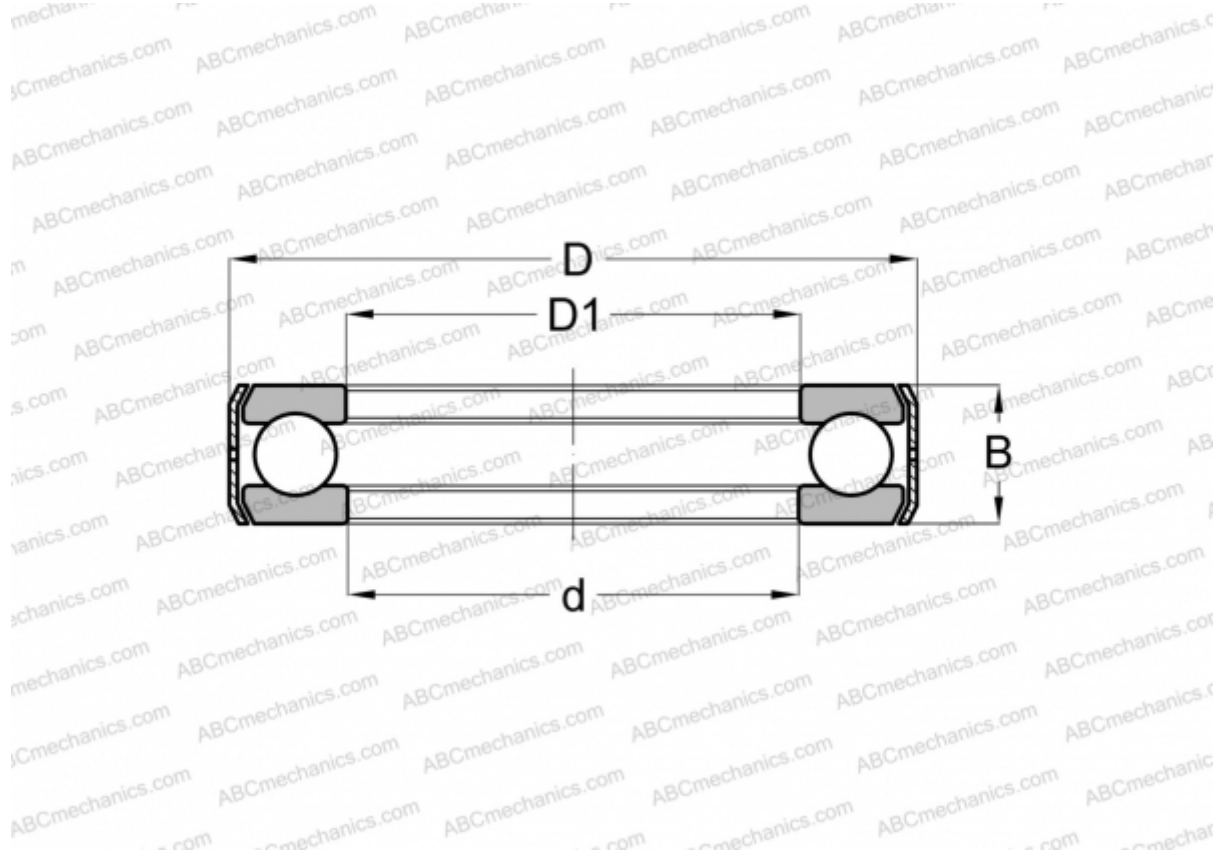


B40 INA

Thrust ball bearings

TYPE: Ball bearings, Thrust ball bearing, Single direction, With bracket, inch size



Technical specification

DIMENSIONS, MM

d	76,200
D	119,860
D1	76,987
B	28,580

WEIGHT, KG 1,169

MANUFACTURER [INA](#)