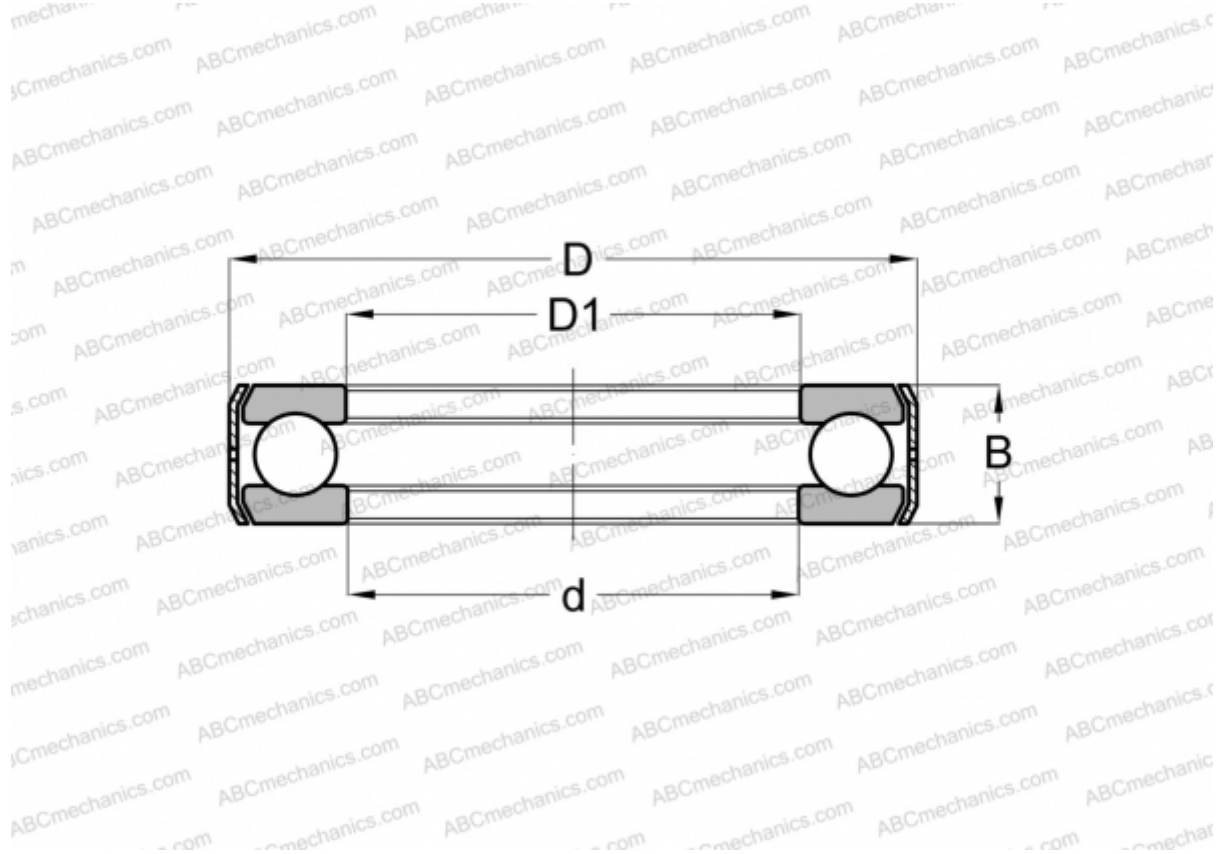


08Y32 INA

Thrust ball bearings

TYPE: Ball bearings, Thrust ball bearing, Single direction, With bracket



Technical specification

DIMENSIONS, MM

d	21,514
D	34,925
D1	21,514
B	12,700

WEIGHT, KG 0,053

MANUFACTURER [INA](#)