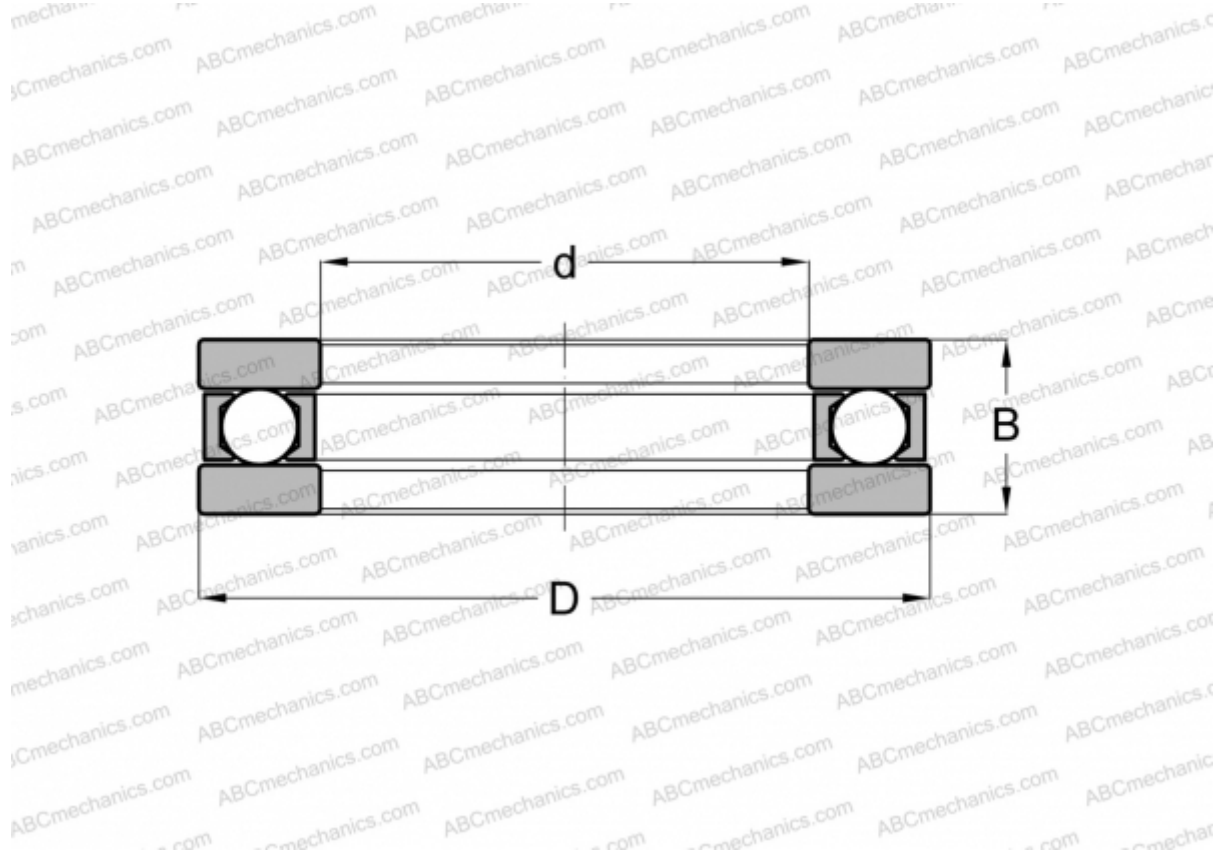


B-2 SKF

Thrust ball bearings

TYPE: Ball bearings, Thrust ball bearing, Single direction, Separable, flat raceway, inch size



Technical specification

DIMENSIONS, MM

d	6,350
D	16,668
B	6,350

WEIGHT, KG 0,006

MANUFACTURER [SKF](#)

INTERCHANGE

INA	EW 1/4
FBC	EW- 1/4
NORMA HOFFMAN	EW- 1/4
NICE	FR-10
RHP	FT- 1/4