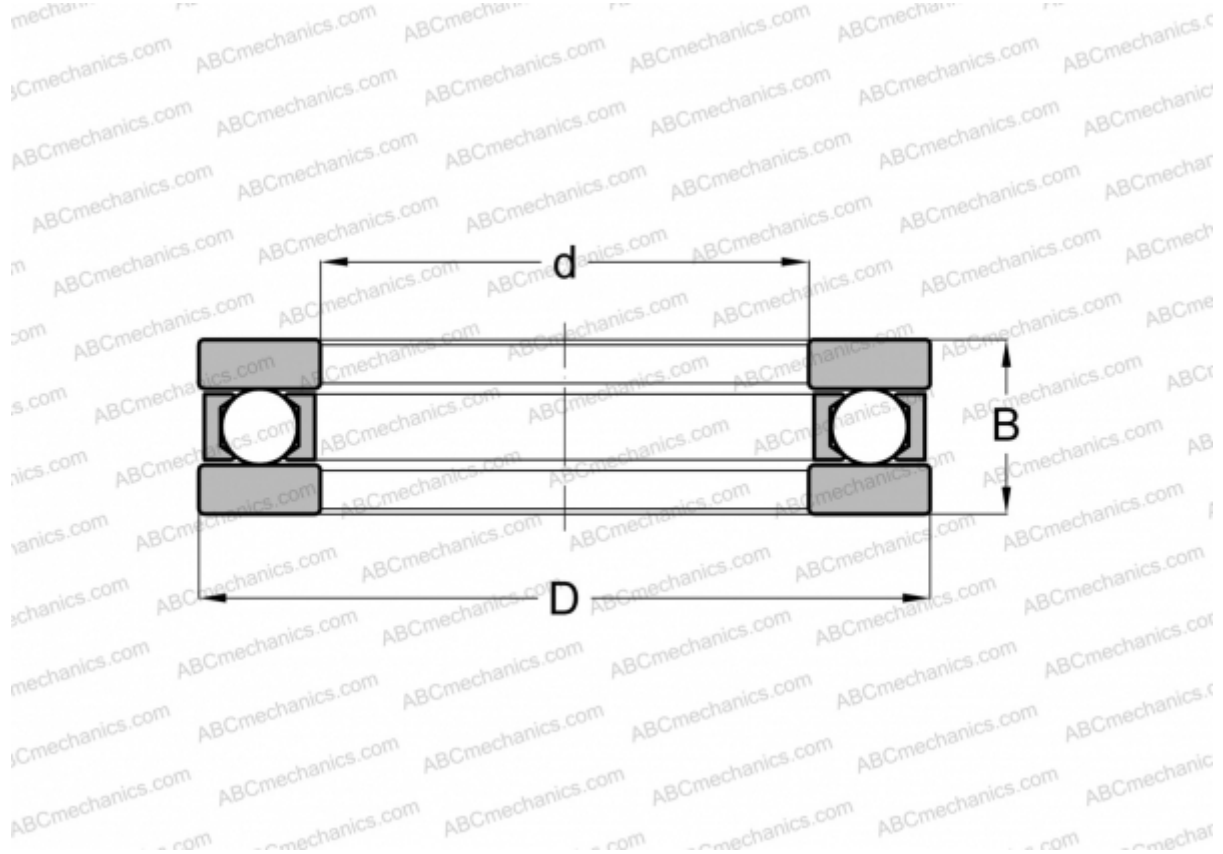


FR-35 NICE

Thrust ball bearings

TYPE: Ball bearings, Thrust ball bearing, Single direction, Separable, flat raceway, inch size



Technical specification

DIMENSIONS, MM

d	28,575
D	44,450
B	9,525

WEIGHT, KG 0,042

MANUFACTURER [NICE](#)

INTERCHANGE

INA	EW 1 1/8
FBC	EW-1 1/8
NORMA HOFFMAN	EW-1 1/8
RHP	FT-1 1/8