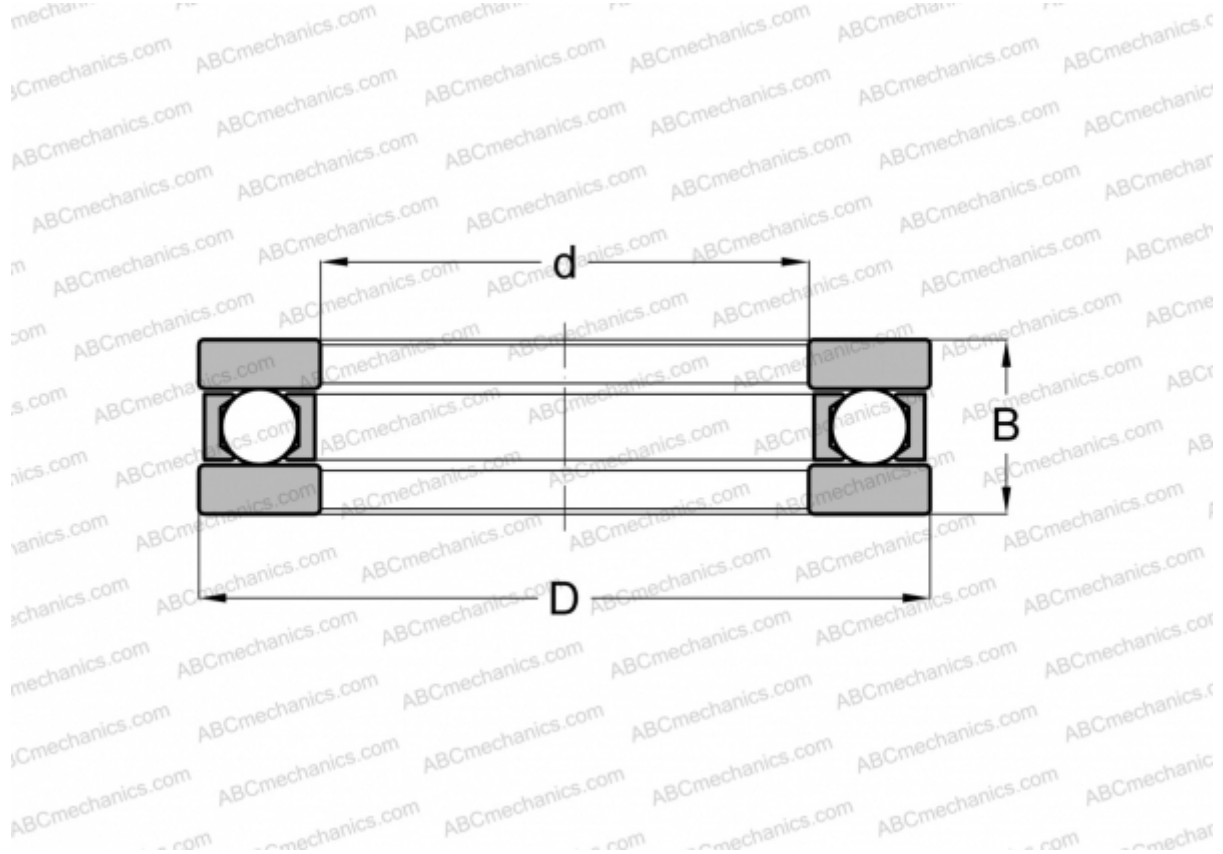


FT-03 INA

Thrust ball bearings

TYPE: Ball bearings, Thrust ball bearing, Single direction, Separable, flat raceway, inch size



Technical specification

DIMENSIONS, MM

d	4,763
D	15,875
B	6,350

MANUFACTURER [INA](#)

INTERCHANGE

ANDREWS	FT-03
NICE	FR-5