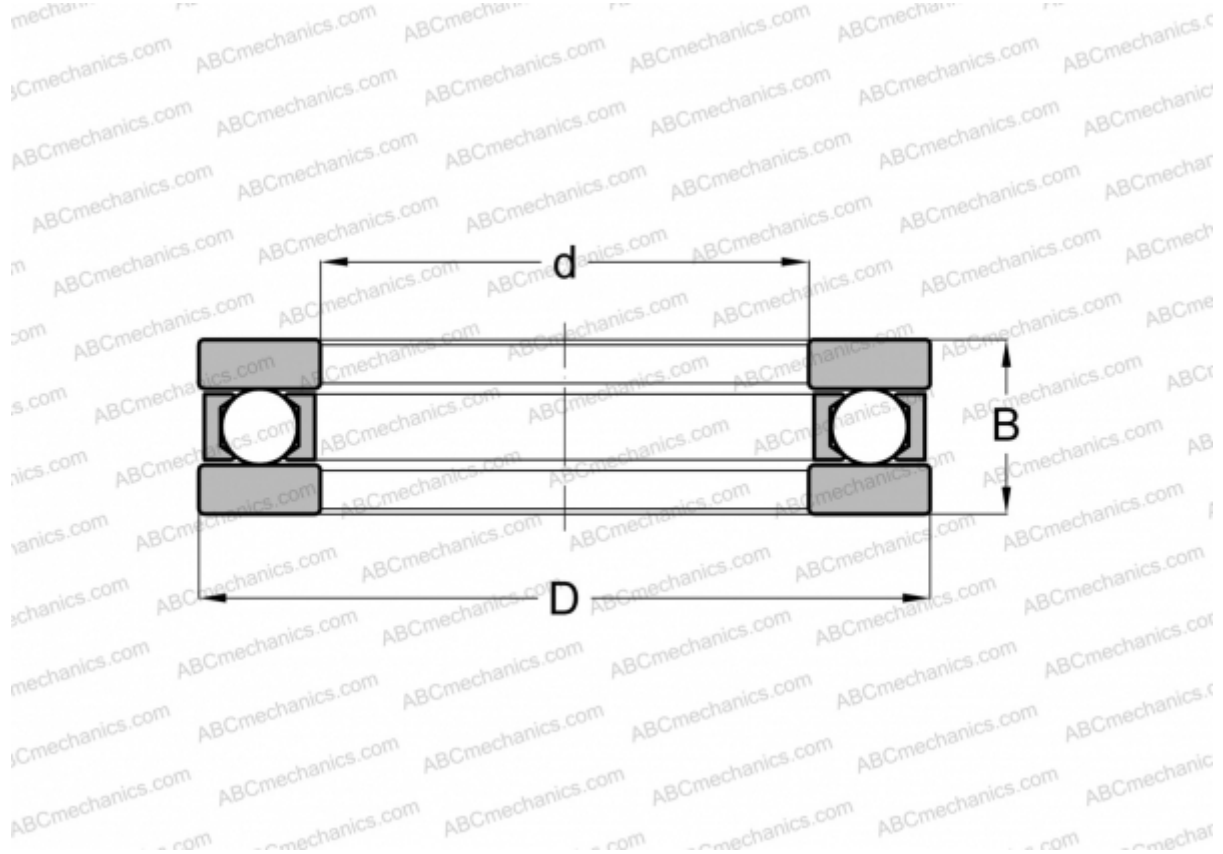


FT-07 ANDREWS

Thrust ball bearings

TYPE: Ball bearings, Thrust ball bearing, Single direction, Separable, flat raceway, inch size



Technical specification

DIMENSIONS, MM

d	6,350
D	21,430
B	9,525

WEIGHT, KG 0,023

MANUFACTURER [ANDREWS](#)

INTERCHANGE

INA	FT-07
NICE	FR-11