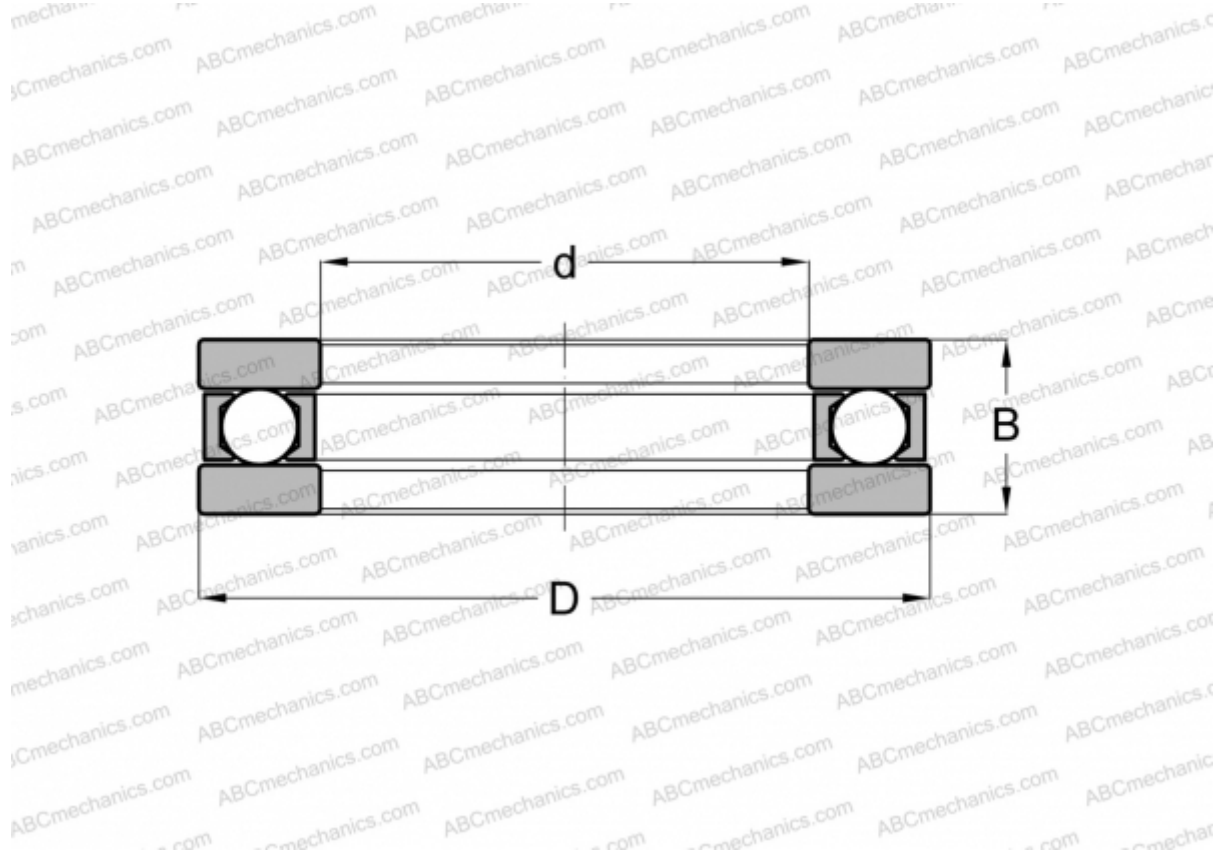


## FT-010 INA

Thrust ball bearings

TYPE: Ball bearings, Thrust ball bearing, Single direction, Separable, flat raceway, inch size



### Technical specification

#### DIMENSIONS, MM

d	9,525
D	17,463
B	7,142

**WEIGHT, KG** 0,009

**MANUFACTURER** [INA](#)

#### INTERCHANGE

ANDREWS	<a href="#">FT-010</a>
NICE	<a href="#">FR-17</a>