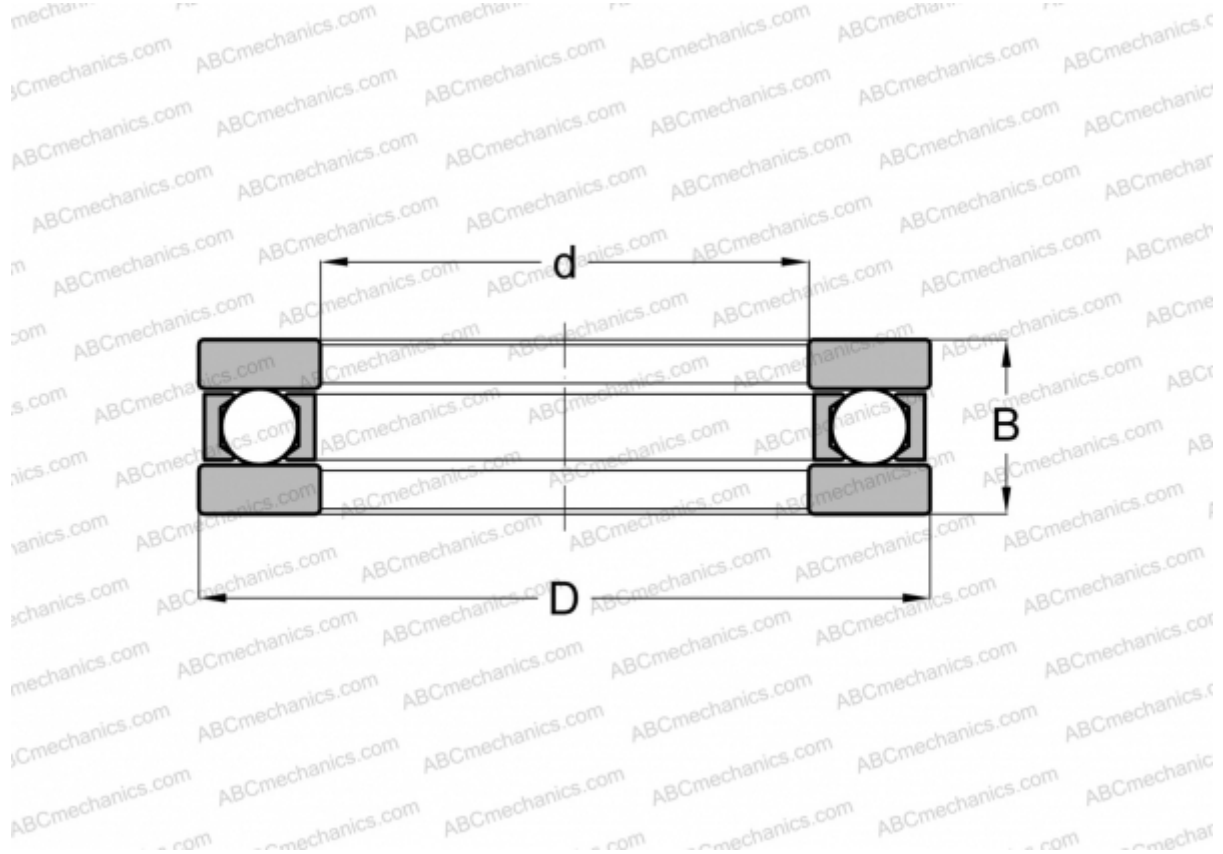


FT-016 INA

Thrust ball bearings

TYPE: Ball bearings, Thrust ball bearing, Single direction, Separable, flat raceway, inch size



Technical specification

DIMENSIONS, MM

d	12,700
D	22,225
B	9,525

WEIGHT, KG 0,017

MANUFACTURER [INA](#)

INTERCHANGE

ANDREWS	FT-016
NICE	FR-24