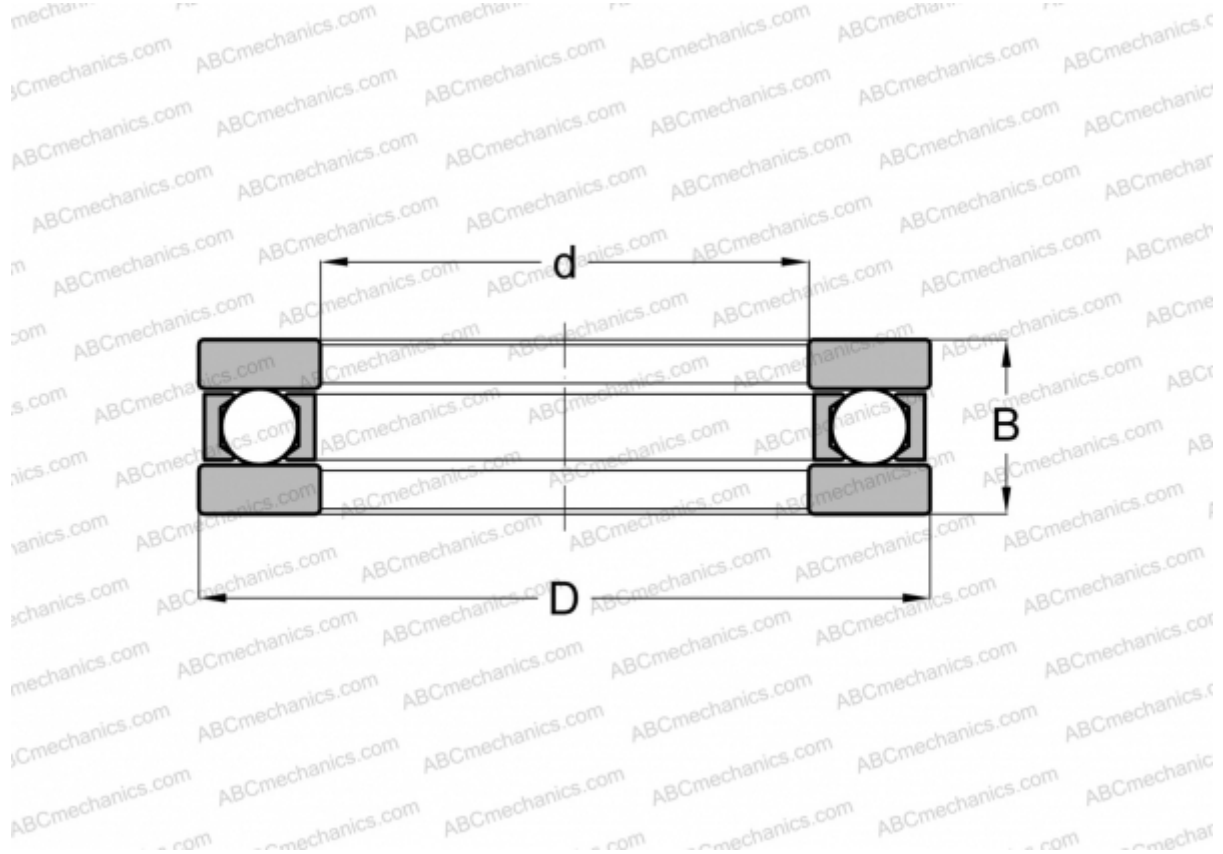


FT-6 INA

Thrust ball bearings

TYPE: Ball bearings, Thrust ball bearing, Single direction, Separable, flat raceway, inch size



Technical specification

DIMENSIONS, MM

| | |
|---|--------|
| d | 20,638 |
| D | 37,305 |
| B | 14,288 |

WEIGHT, KG 0,070

MANUFACTURER [INA](#)

INTERCHANGE

| | |
|---------|----------------------|
| AETNA | B-6 |
| ANDREWS | FT-6 |